

Patents, Designs, and Trade Marks

SUPPLEMENT

TO THE

NEW ZEALAND GAZETTE

OF

THURSDAY, DECEMBER 16, 1909.

Published by Authority.

WELLINGTON, THURSDAY, DECEMBER 16, 1909.

CONTENTS.

	Page
International and Intercolonial Arrangements for the Mutual Protection of Patents and Trade Marks ..	3285
Patent Publications in New Zealand ..	3286
Books and Documents open to Inspection at Patent Office, Wellington	3286
Books, Documents, &c., open to Inspection at Local Patent Offices, Auckland, Christchurch, and Dunedin ..	3287
Official Publications	3287
Local Patent Offices	3287
Notice re Holidays	3287
Applications for Letters Patent filed ..	3287
Complete Specifications filed after Provisionals ..	3288
Complete Specifications accepted	3288
Provisional Specifications accepted	3293
Letters Patent sealed	3293
Letters Patent on which Fees have been paid ..	3293
Subsequent Proprietor of Letters Patent registered ..	3294
Notices of Requests to amend Specifications ..	3294
Applications for Letters Patent abandoned ..	3294
Applications for Letters Patent void	3294
Applications for Letters Patent lapsed	3294
Letters Patent void	3294
Design registered	3295
Applications for Trade Marks filed	3295
Applications for Registration of Trade Marks ..	3295
Applications for Trade Marks abandoned or refused ..	3298
Applications for Trade Marks withdrawn	3298
Request for Amendment of Trade Mark Application ..	3298
Trade Marks registered	3298
Subsequent Proprietors of Trade Marks registered ..	3298
Trade Mark Renewal Fees paid	3298
Trade Marks removed from the Register	3298
Trade Mark Registration cancelled	3298

International and Intercolonial Arrangements for the Mutual Protection of Patents and Trade Marks.

INTERNATIONAL CONVENTION.

THE following countries now belong to the Convention :—

Australia.	Italy.
Austria-Hungary.	Japan.
Belgium.	Mexico.
Brazil.	New Zealand.
Ceylon.	Norway.
Cuba.	Portugal, with the Azores and Madeira.
Denmark and Faroe Islands.	Servia.
Dominican Republic.	Spain.
France, with Algeria and Colonies.	Sweden.
Germany.	Switzerland.
Great Britain.	Tunis.
Holland, with East Indian Colonies, Curaçoa, and Surinam.*	United States of America.

* Trade marks only.

Separate arrangements have been made between Australia and New Zealand.

Particulars of the Convention and of such arrangements may be seen in the following *Gazettes* :—

Notification of adherence of New Zealand to the Convention, with text thereof (in English), in the *Gazette* of 26th November, 1891; notification of adherence of New Zealand to the Additional Act of the Convention, with text (in English), of such Additional Act, in *Patents Supplement to Gazette* No. 101, of the 16th November, 1905; Order in Council applying section 103 of the Imperial Act to New Zealand, in *Gazette* No. 27, of the 15th May, 1890; Orders in Council containing arrangements between Australia and New Zealand, in *Patent Supplements to the Gazette* Nos. 22 of the 9th March, 1905, and 38 of the 20th April, 1905.

NOTE.—The next issue of the Patents, Designs, and Trade Marks Supplement to the *New Zealand Gazette* will be published on Thursday, the 13th day of January, 1910.

Patent Publications in New Zealand.

THE following publications relating to Patents for inventions, &c., are open to inspection in the Dominion:—

WELLINGTON. - PATENT OFFICE LIBRARY.

United Kingdom.

The full text of the specifications and complete drawings of inventions patented from the year 1617 up to the 19th August, 1909.

Classified illustrated abridgments of inventions from 1865 to 1906 and part of 1907.

Illustrated Official Journal, containing lists of recent applications, abridgments of inventions for which patents have been lately granted, patents void, &c., to October, 1909.

Index of Applicants.

Subject-matter Index.

Commissioner of Patents Journal, &c. (*)

Trade Marks Journal to July, 1909.

Canada.

Patent Office Record (containing illustrated abridgments of inventions, &c.) to June, 1909.

Australia.

The full text of the specifications and complete drawings in respect of applications accepted from the 11th January, 1906, to the 28th September, 1909, inclusive.

The Official Journal of Patents of the Australian Commonwealth (containing lists of applications for letters patent, abridgments of complete specifications accepted, &c.).

The Australian Official Journal of Trade Marks (containing lists of applications for registration of trade marks, &c.).

Specifications, drawings, abridgments, and indexes of Victoria, New South Wales, Queensland, and South Australia (b).

United States.

The full text of the specifications and drawings for the years 1905, 1906, and part of 1907.

The Official Gazette of the United States Patent Office (containing illustrated abridgments of specifications, &c.) to September, 1909.

Mexico.

The Official Gazette of the Patent and Trade Mark Office.

General

La Propriété Industrielle (the official organ of the International Bureau of the Union for the Protection of Industrial Property).

Patent laws of the world.

Patent and Trade Mark Review.

Text-books and handbooks on patents and trade marks.

AUCKLAND. - PUBLIC LIBRARY.

United Kingdom.

Classified abridgments of inventions from 1855 to 1904.
Illustrated Official Journal from 1897 to date.

Canada.

Patent Office Record (containing illustrated abridgments of inventions, &c.) from 1897 to date.

Australia.

The Official Journal of Patents from 1905 to date.

United States.

The Official Gazette of the United States Patent Office (containing illustrated abridgments of specifications, &c.) from 1885 to 1887 and 1890 to 1895.

CHRISTCHURCH. - PUBLIC LIBRARY.

United Kingdom.

Classified abridgments of inventions from 1855 to 1904.
Illustrated Official Journal from October, 1905, to date.

Canada.

Patent Office Record (containing illustrated abridgments of inventions, &c.) from 1897 to date.

Australia.

The Official Journal of Patents from 1905 to date.

(*) Discontinued.

(b) In arrears. Not now being printed.

DUNEDIN. - PUBLIC LIBRARY.

United Kingdom.

Classified abridgments of inventions from 1855 to 1904.
Illustrated Official Journal from October, 1905, to date.

Australia.

The Official Journal of Patents from 1905 to date.

Books and Documents open to Inspection at Patent Office, Wellington.

THE following documents and books are open to public inspection at the Patent Office:—

PATENTS.

(Fees for each search or inspection, not exceeding one hour, 1s.)

1. The files relating to all applications for letters patent in respect of which complete specifications have been accepted.
2. Classified copies of specifications and drawings, with index and key (a).
3. Register of Applications for Letters Patent.
4. Register of Patents.
5. Register of Subsequent Proprietors of Letters Patent (b).
6. Index of Patentees (c).
7. Index of Proprietors of Letters Patent granted prior to 1890 (d).
8. Index of Specifications (e).

DESIGNS.

(Search fee, 1s. each quarter of an hour.)

1. Register of Designs, with Index of Names of Proprietors.
2. Classified Representations of Designs in respect of which Copyright has expired.
3. Index of Designs.

TRADE MARKS.

(Search fee, 1s. each quarter of an hour.)

1. The files relating to all applications for registration of trade marks.
2. Register of Applications for Registration of Trade Marks.
3. Register of Trade Marks.
4. Index of Applicants for Registration of Trade Marks (f).
5. Index of Trade Marks.
6. Classified Representations of Trade Marks, with indexes.

MISCELLANEOUS.

Register of Patent Agents.

FORMS AND PUBLICATIONS.

The following forms, &c., may be had on application at the Patent Office, Wellington, or at any of the local Patent Offices named below:—

Application for letters patent.

Provisional specification.

Complete specification and copy thereof.

Application for registration of design.

Application for registration of trade mark.

Applications for extension of time.

Requests by subsequent proprietor to enter name on Register of Patents and Trade Marks.

Printed sheets of information as to fees and procedure to obtain letters patent and to register a trade mark (g).

Pamphlet containing Act and Regulations (price 1s.).

(a) Key is in card index.

(b) This Register contains only names of subsequent proprietors of letters patent granted prior to 1st January, 1890; since that date they appear in Register of Patents.

(c) Includes all names of applicants, &c., and consists of four volumes to 4th November, 1903, and card index since that date. A separate card index is kept for current quarter.

(d) The names of proprietors of subsequent letters patent appear in the Index of Patentees.

(e) Contains classified abridgments of specifications from 1861, with extracts from drawings from July, 1904.

(f) Names of applicants for registration and proprietors of trade marks are indexed at the beginning of the Registers up to 31st December, 1889; in separate volume up to 5th September, 1904; and since the latter date in card index.

(g) May also be obtained at any local Patent Office or money-order office.

Books, Documents, &c., open to Inspection at Local Patent Offices, Auckland, Christchurch, and Dunedin.

BOOKS, documents, &c., open to inspection, and forms, &c., procurable, at the local Patent Offices at Auckland, Christchurch, and Dunedin.

BOOKS, ETC., OPEN TO INSPECTION.

Weekly lists of applications for patents up to and including those filed on Friday may be seen on the following Monday. (Search fee, 1s.)

Name Index—Patents, 1861–1889. (Search fee, 1s.)
Annual Reports, containing alphabetical lists of applicants and subject-matter indexes since 1890.
Patents Supplement to the *New Zealand Gazette*.
Patents, Designs, and Trade Marks Act and Rules.
Acts and Rules of other countries.
Australian Official Journal of Patents.

FORMS, ETC., OBTAINABLE.

The following forms, &c., may be obtained on application:—

Applications for letters patent.
Provisional specification.
Complete specification, and copy thereof.
Application for registration of design.
Application for registration of trade mark.
Applications for extension of time.
Requests by subsequent proprietor to enter name on Register of Patents and Trade Marks.
Printed sheets of information as to fees and procedure to obtain letters patent and to register designs and trade marks.
Act and Regulations. (Price, 1s. 6d.)

NOTE.—The classified abridgments of the specifications and drawings of the United Kingdom may be seen in the Public Library of each of the above three principal towns. Other publications will be placed on file as soon as they are available.

Official Publications.

THE following publications may be obtained from the Government Printer, Wellington:—

Printed specifications to the end of the year 1879. (Some of these are now out of print.)

Annual lists of letters patent and letters of registration applied for, and particulars of applications lapsed, and patents lapsed, from 1880 to 1893 inclusive. (The lists for the last four of these years are contained in the *Annual Reports of the Registrar*.)

Annual reports of the Registrar, containing alphabetical indexes of applicants for letters patent and of subject-matter of inventions patented from 1894 to 1908 inclusive.

The Patents Supplement to *Gazette* (containing notifications, applications for letters patent, abridged descriptions and drawings of inventions, &c.), published fortnightly.

Name Index of Patents, &c., 1861–1890. (Price, 1s.)
Name Index of Trade Mark Applicants, &c., 1868–1906. (Price, 5s.)

Local Patent Offices.

LOCAL Patent Offices for the reception of applications, supply of forms, &c., have been established at the following places:—

Auckland—Supreme Court. (G. S. Clark, agent.)
Whangarei—Courthouse. (W. J. Reeve, agent.)
Thames—Courthouse. (J. Jordan, agent.)
Waihi—Courthouse. (J. McIndoe, agent.)
Hamilton—Courthouse. (H. J. Dixon, agent.)
Gisborne—Courthouse. (G. J. A. Johnstone, agent.)
New Plymouth—Courthouse. (J. Terry, agent.)
Napier—Courthouse. (A. Trimble, agent.)
Wanganui—Courthouse. (C. A. Barton, agent.)
Taihape—Courthouse. (W. Baker, agent.)
Palmerston North—Courthouse. (C. J. Hewlett, agent.)
Masterton—Courthouse. (M. Foley, agent.)
Nelson—Courthouse. (E. C. Kelling, agent.)
Blenheim—Courthouse. (F. W. Hart, agent.)
Westport—Courthouse. (O. B. Bowling, agent.)
Greymouth—Courthouse. (B. Harper, agent.)
Hokitika—Courthouse. (J. N. Nalder, agent.)
Christchurch—Supreme Court. (W. W. Samson, agent.)
Ashburton—Courthouse. (J. Fitzgerald, agent.)
Timaru—Courthouse. (T. W. Taylor, agent.)
Oamaru—Courthouse. (A. A. Mair, agent.)
Dunedin—Supreme Court. (T. E. Roberts, agent.)
Clyde—Courthouse. (F. T. D. Jeffery, agent.)
Gore—Courthouse. (G. H. Lang, agent.)
Queenstown—Courthouse. (A. J. Thompson, agent.)
Invercargill—Courthouse. (J. R. Colyer, agent.)

Christmas and New Year Holidays.

Office of the Minister of Internal Affairs,
Wellington, 1st December, 1909.

IT is hereby notified for general information that Saturday, the 25th December, Monday, the 27th December, and Tuesday, the 28th December, 1909, and Saturday, the 1st January, and Monday, the 3rd January, 1910, will be observed as holidays in the public offices of the Government of New Zealand.

By order.

HUGH POLLEN,
Under-Secretary.

Applications for Letters Patent filed.

LIST of applications for Letters Patent filed. (Where a complete specification accompanies an application an asterisk is affixed; in all other cases a provisional specification has been lodged. In all cases where the applicant is not the inventor the name of the latter appears in italics after the title. † Denotes an application under the International and Intercolonial Arrangements.)

- No. 26965.—25th November.—E. J. Chilton, Kuripuni, N.Z.
Closet-flush.
- No. 26966.—27th November.—M. Leser, Auckland, N.Z.
Umbrella.
- No. 26967.—25th November.—T. Barker and W. E. Garey, Auckland, N.Z.
Life belt.
- No. 26968.—26th November.—F. C. Thompson, Auckland, N.Z.
Method of operating venetian-blinds.
- No. 26969.—24th November.—W. S. Hart and J. H. Ormond, Gisborne, N.Z.
Filter-cooler.
- No. 26970.—1st December.—H. C. Carrington, Timaru, N.Z.
Building-bracket.
- No. 26971.—8th December, 1908.†—E. Goodwin, Toowoomba, Q.
Compressed-air valve.*
- No. 26972.—1st December.—H. F. Allen, Christchurch, N.Z.
Hat-pin.
- No. 26973.—1st December.—O. Edwards, F. R. and J. H. Young, Sydney, N.S.W.
Sheep-shearing-machine cutter.
- No. 26974.—1st December.—J. Grant and W. L. Oldman, Christchurch, N.Z.
Hat-pin.
- No. 26975.—1st December.—J. T. Hunter, Wellington, N.Z.
Machine for treating intestines of animals.*
(*Wolf, Sauer, and Heller—E. Bianchi.*)
- No. 26976.—1st December.—J. Mitchell, Auckland, N.Z.
Building-construction.*
- No. 26977.—1st December.—E. Brown, Baden, Switz.
Turbine.*
- No. 26978.—1st December.—L. H. Raw, E. Molesey, Eng.
Treatment of ramie, China grass, &c.
- No. 26979.—2nd December.—A. J. Cotton, Brisbane, Q.
Means for imparting power from motor-car engines.
- No. 26980.—2nd December.—B. Baron, London, Eng.
Means for charging smoking-pipes.*
- No. 26981.—2nd December.—W. J. H. Beach, Wellington, N.Z.
Aeroplane.
- No. 26982.—2nd December.—C. M. Cruickshank, Timaru, N.Z.
Egg carrier.
- No. 26983.—2nd December.—R. H. Sleep and B. G. A. Harkness, Stratford, N.Z.
Swingletree.
- No. 26984.—3rd December.—A. T. Scott, Christchurch, N.Z.
Box-construction.*
- No. 26985.—3rd December.—J. Keefe, Te Whaiu, N.Z.
Machine sheep-shears.
- No. 26986.—3rd December.—T. N. Fletcher, Thames, N.Z.
Target.
- No. 26987.—3rd December.—S. P. Evans, Christchurch, N.Z.
Boat-scuttle.
- No. 26988.—2nd December.—H. C. Gore, Dunedin, N.Z.
Method of ornamental lettering on glass.*
- No. 26989.—3rd December.—C. A. Kidd, G. B. Ritchie, C. H. and M. Flavell, and A. Bailey, Christchurch, N.Z.
Trotting-sulky.*
- No. 26990.—3rd December.—R. McGaffin, Hastings, N.Z.
Conveying and cleaning tow.
- No. 26991.—3rd December.—A. H. Wright, Dunedin, N.Z.
Advertisement-displaying apparatus.
- No. 26992.—3rd December.—J. J. Stroud, Invercargill, N.Z.
Securing corks in bottles.

- No. 26993.—3rd December.—M. Woods, Carlton, Vic., and T. J. Gilbert, Brunswick, Vic.
Machine for dressing rails.*
- No. 26994.—3rd December.—A. Macpherson, Newmilns, Scot.
Generation and storage of carburetted petrol, &c.*
- No. 26995.—3rd December.—W. J. Hammill and W. H. Murray, Auckland, N.Z.
Boot and shoe toe-puff.*
- No. 26996.—4th December.—C. Chapman, St. Kilda, N.Z., and R. Wilson, Dunedin, N.Z.
Aeroplane.*
- No. 26997.—4th December.—J. Park and F. Oakden, Dunedin, N.Z.
Method and apparatus for preventing combustion in bales of wool, flax, &c.
- No. 26998.—7th December.—T. V. Brejcha, Strassburg-Neudorf, Ger.
Production of boreholes with independent supports without tubes.*
- No. 26999.—22nd December, 1908.—P. E. G. Cumberland, St. Kilda, Vic.
Means for preventing corrosion of boilers.*
- No. 27000.—7th December.—A. Clegg, W. Rainbow, and F. Clark, Christchurch, N.Z.
Advertising-device.
- No. 27001.—8th December.—W. H. Lawrence and R. Kennedy, Glasgow, Scot.
Vacuum pump.* (C. B. Dalzell.)
- No. 27002.—6th December.—C. E. and W. J. Smith, Auckland, N.Z.
Washing-powder.*
- No. 27003.—6th December.—A. R. Angus, Mosman, N.S.W.
Preventing collisions between railway-trains.*
- No. 27004.—8th December.—J. E. Smith, Hastings, N.Z.
Wool-drier.
- No. 27005.—8th December.—E. C. Evans, East Prahran, Vic.
Attachment to exhaust-pipe of high-pressure engine.
- No. 27006.—8th December.—G. E. Collins, Pukehou, N.Z.
Folding legs and fasteners for tables, stools, &c.* (E. Bidwell.)
- No. 27007.—6th December.—J. Bain, Waipahi, N.Z.
Drill-grubber, horse-hoe, &c., gear regulator.
- No. 27008.—6th December.—J. E. Boyd, Timaru, N.Z.
Hanging up brooms.
- No. 27009.—7th December.—A. H. J. Parker, Christchurch, N.Z.
Street-indicator, &c., for use on tramcars.
- No. 27010.—7th December.—O. Silberrad, Brockhurst Hill, Eng.
Dressing leather.*
- No. 27011.—8th December.—R. W. de Montalk, Auckland, N.Z.
Concrete and ferro-concrete building.
- No. 27012.—8th December.—M. H. Page, San Francisco, U.S.A.
Vent for liquid-fuel tank.*
- No. 27013.—8th December.—United Shoe Machinery Company, Paterson, U.S.A.
Pulling-over machine. (A. L. Engberg.)
- No. 27014.—8th December.—United Shoe Machinery Company, Paterson, U.S.A.
Welt-beating machine. (J. Gouldbourn.)
- No. 27015.—8th December.—J. W. Rickman, Awakino, N.Z.
Gate-fastener.
- No. 27016.—7th December.—J. A. Taylor, Auckland, N.Z.
Household-requisites indicator.
- No. 27017.—7th December.—F. T. Ballinger, New Plymouth, N.Z., and V. W. Ardern, Fitzroy, N.Z.
Water-inlet for gas-meter.

Complete Specifications filed after Provisionals.

LIST of complete specifications filed after provisional specifications, from the 27th November to the 10th December, 1909, inclusive:—

- No. 25617.—M. T. Braik, cooking-box.
- No. 25623.—D. Munro, earth-scoop.
- No. 25645.—E. H. Donaldson, washing flax-fibre.
- No. 25668.—R. G. Palmer, life-saving raft.
- No. 25706.—A. R. Angus, railway-car running-gear.
- No. 25771.—Q. W. Booth, leather-skiving machine. (L. W. G. Flyat.)
- No. 25772.—United Shoe Machinery Company, boot and shoe manufacture. (J. Cavanagh and P. H. Doherty.)
- No. 26002.—A. Pearse, advertising-device.
- No. 26247.—H. A. Cutmore, telephone-mouthpiece-closure device.
- No. 26263.—C. Young, draught collar for animals.
- No. 26576.—D. Morrison, playing-cards.

Notice of Acceptance of Complete Specifications.

Patent Office,
Wellington, 15th December, 1909.

COMPLETE specifications relating to the un-dermentioned applications for Letters Patent have been accepted, and are open to public inspection at this office. Any person may, at any time within two months from the date of this *Gazette*, give me notice in writing of opposition to the grant of any such patent. Such notice must set forth the particular grounds of objection, and be in duplicate. A fee of 10s. is payable thereon.

The copies of claims and extracts from the specifications and drawings are merely intended to give some further indication of the invention than is disclosed in the title, and the complete specifications and drawings should be referred to for a description of the invention.

No. 25425.—5th January, 1909.—ALFRED LAUNCELOT JAMES TAIT, of 8 Anderson's Bay Road, Dunedin, New Zealand, Flax-miller and Inventor. Improvements in machinery for treating and dressing flax leaves or stems, or fibres thereof.*

Claims.—(1.) In improved machinery for treating flax leaves, stems, or fibres, in combination, a feed-box, a chute having recesses in which drum-discs work (which may have teeth), with pressure-boards, between which and the said drum-discs the leaves have to pass, travelling-rollers, push-rollers, feed-rollers placed vertically or horizontally, with stationary or revolving stripper-bar and catcher and hanking-devices, all substantially as set forth, and as shown on the drawings. (2.) In flax-stripping drums, auxiliary bars as well as the usual ones, all substantially as set forth. (3.) In flax-treating machinery, in chute thereof, a feed-box, ratchet wheel and spindle, pawl, crank combined with same, also check-pawl to prevent reversal of the ratchet, and the drum-discs connected therewith, all substantially as set forth. (4.) In flax-dressing machinery, in combination, chute, travelling-rollers (loose or driven), pressure-board, all substantially as set forth. (5.) In flax-machinery, catchers on sprocket-wheel chains, pressure-boards and suitable carrying frame secured thereto, combined with arms or rollers on bearings, substantially as set forth. (6.) In flax-machinery, hank-making devices, chains, sprockets, pressure-boards, combined with hinged arms, all substantially as set forth, and as shown on the drawings.

(Specification, 6s. 6d.)

No. 25447.—13th January, 1909.—ANDREW MURIE GRAINGER, of 128 Albany Street, Dunedin, New Zealand, Labourer. Noxious-weeds extractor.*

Claims.—(1.) An apparatus marked A for extracting weeds; a frame carried on wheels and cylinder which drives clearing-roller B, substantially set forth in plan and specification. (2.) An apparatus marked D, combined with cranks marked E, driven from wheel F, substantially set forth in plan and specification.

(Specification, 1s.)

No. 25448.—13th January, 1909.—ANDREW MURIE GRAINGER, of 128 Albany Street, Dunedin, New Zealand, Labourer. Improved rabbit-trap.*

Claims.—(1.) Two spiral springs marked AA lying horizontal which hold from grip and nippers, as substantially set forth in the plan and specification. (2.) Two rings BB and third ring D, with nippers, substantially set forth in plan and specification.

(Specification, 1s.)

No. 25453.—12th January, 1909.—WILLIAM DALL, of Dunedin, New Zealand, Merchant. An improved self-locking dropper for plain or barbed wire fences.*

Claim.—In fences of strained wire, in combination, droppers of V section having one side of the entrance to each slot rounded so that the said droppers may be hung by one side in an upright position on all the wires of a fence, said wires being strained and may be barbed, and by giving the said

dropper a slight inward turn all the wires can be sprung into the corresponding slots on the other side, without the use of tools, the position of the pairs of slots being such that they grip and slightly kink the wires, preventing side slip of the said droppers on the said strained wires, with the opposite sides of each entrance to the said slots also rounded, thus leaving no sharp projecting points for catching in wool, all substantially as shown on the drawing, and as described and as explained.

(Specification, 2s. 9d.)

No. 25482.—23rd January, 1909.—EDWIN HENRY BROOKER, of Medbury, Canterbury, New Zealand, Farmer. Improved suction-blast seed stripper and dresser.*

Claims.—(1.) For the purpose indicated, the parts constructed, arranged, combined, and operating substantially as set forth and illustrated. (2.) In apparatus for the purpose indicated, the employment of the top formed of reticular material, means whereby the passage of the blast through the said material is regulated, substantially as described and illustrated. (3.) Apparatus for the purpose indicated, comprising, in combination, the beater-bar and beater-drum with the means for driving same, the riddle with means for vibrating same, the conveyor for removing seed passing through said riddle, substantially as specified and illustrated.

(Specification, 3s. 6d.)

No. 25522.—4th February, 1909.—EDWARD BRICE KILLEN, of 52 Queen Victoria Street, London, England, Engineer. Improvements in or relating to wooden wheels.

Claims.—(1.) In artillery wheels, the combination of an unchangeable truly circular inwardly flanged steel binding-rim, inwardly sloping wooden felloes, double-footed spokes, and arrow-like wedges, all substantially as and for the purposes described; and illustrated on the sheets of drawings. (2.) In artillery wheels, constructing these substantially and in the manner and for the purposes described, and illustrated on the sheets of drawings. (3.) In artillery wheels, constructing the spokes with a double foot, substantially as described, and illustrated in the sheets of drawings.

(Specification, 6s.)

No. 25584.—19th February, 1909.—CHARLES RAWLINSON MACDONALD, of Rona, Vermont Street, Ponsonby, Auckland, New Zealand, University Assistant. An improved marine-engine governor.*

Claims.—(1.) In a marine governor, the use of a propeller-shaft which is free to slide a small distance longitudinally relative to the vessel or ship, and in which the usual thrust of the propeller is more or less balanced by a pressure, pull, or attraction in an opposite direction to such thrust (so that the shaft moves endwise slightly accordingly as the propeller-thrust or the opposing stress be stronger), for the purpose of using such endwise motion or the energy of such motion for the more or less automatic governing of the speed of the motor or engine (or motors or engines). (2.) In a marine governor, the use of an endwise sliding propeller as above combined with means of conveying such motion, or the energy of such motion, to the speed-regulating device or devices (lever, valve, stopcock, or switch) of the motor or engine (or motors or engines) of the ship or vessel, for the purpose of more or less automatically governing the speed of such motor or engine.

(Specification, 6s. 6d.)

No. 25585.—19th February, 1909.—CHARLES RAWLINSON MACDONALD, of Rona, Vermont Street, Ponsonby, Auckland, New Zealand, University Assistant. An improved thrust-bearing.*

Claims.—(1.) The use of one or more than one electro-magnet in or auxiliary to a pivot, step, collar, shoulder, or thrust-bearing or bearings for one or more of the following purposes: (a) of relieving the bearing-surfaces of the whole or a part of the endwise weight or pressure that they might but for such magnet receive; (b) of causing a slight endwise motion in the shaft or rotating or revolving body when such endwise weight or pressure is diminished or negatived, such endwise motion being used by the make and break of electrical contact to automatically control the magnetism of the

said electro-magnet. (2.) The use of the arrangements of field-magnet, armature, and shaft shown in Figs. 1, 2, and 3, and 4. (3.) The use of one or more than one electro-magnet in or auxiliary to a pivot, step, collar, shoulder, or thrust bearing or bearings for one or more of the above-mentioned purposes, in combination with a make-and-break electrical switch, or an electrical resistance or a choking-coil, for the purpose of controlling the magnetism of the before-mentioned electro-magnet.

(Specification, 7s. 6d.)

No. 25598.—24th February, 1909.—DONALD McLEAN, of Auckland, New Zealand, Foreman of Works. An improved level.*

Claims.—(1.) Means for ascertaining the relative levels of two distant points, the same consisting in the combination with a pair of water-gauge glasses of a flexible pipe connection extending between their lower ends, substantially as specified. (2.) The improved level constructed, arranged, and operated in the manner described and explained, and as illustrated in the drawings.

(Specification, 2s. 6d.)

No. 25623.—2nd March, 1909.—DONALD MUNRO, of Featherston, New Zealand, Contractor. Improvement in or relating to earth-scoops.*

Claims.—In earth-scoops, the combination with the scoop draught-frame of a sled or runner, or a number of sleds or runners, secured to such frame and arranged to curve downwardly and rearwardly thereon, substantially as and for the purposes specified. (2.) The improvements in or relating to earth-scoops, substantially as described and explained, as illustrated in the drawings, and for the purpose set forth.

(Specification, 2s. 6d.)

No. 25629.—3rd March, 1909.—UNITED SHOE MACHINERY COMPANY, of Paterson, in the State of New Jersey, United States of America, a corporation duly organized under the laws of said State of New Jersey, carrying on business as Shoe-machinery Manufacturers, and having a place of business at 205 Lincoln Street, Boston, Massachusetts, United States of America (assignees of Benjamin Franklin Mayo, of Salem, Massachusetts aforesaid, Inventor, and Ira Clyde Buckminster, of Beverly, Massachusetts aforesaid, Draftsman). Improvements in or relating to sole-rounding machines.*

Claims.—(1.) In a sole-rounding machine having a knife-carrier and a pattern relatively movable to transfer the point of operation of the knife around the pattern, the employment of means for swinging the knife-carrier, while the knife is at the end of the pattern, about a centre in proximity to the end of the pattern, and having a substantially fixed position with relation to the pattern. (2.) In a sole-rounding machine having a knife-carrier and a pattern relatively movable to transfer the point of operation of the knife around the pattern, the employment of means for swinging the knife-carrier, while the knife is at the end of the pattern, about a centre having a substantially fixed position with relation to the pattern, and means for adjusting said centre to positions in proximity to the ends of patterns of different sizes.

[NOTE.—Here follow eleven other claims.]

(Specification, 17s. 6d.)

No. 25642.—4th March, 1909.—UNITED SHOE MACHINERY COMPANY, of Paterson, in the State of New Jersey, United States of America, a corporation duly organized under the laws of said State of New Jersey, carrying on business as Shoe-machinery Manufacturers, and having a place of business at 205 Lincoln Street, Boston, Massachusetts, United States of America (assignees of Willard Allen Smith, of Melrose, Middlesex, Massachusetts aforesaid, Mechanical Engineer). Improvements in or relating to machines for lacing shoe-uppers.*

Claims.—(1.) A machine for lacing shoe-uppers, having, in combination, a plurality of needles, looper-fingers co-operating therewith to form a series of loops in a lacing-cord, a shuttle-needle for carrying the lacing-cord through the loops, a thread-finger arranged to engage the cord between the loop-forming devices and the shuttle-needle, means for rendering

the thread-finger effective or ineffective, and means for operating the finger adjustable to vary the amount of slack supplied by the finger, substantially as described. (2.) A machine for lacing shoe-uppers, having, in combination, means for forming a series of loops in a lacing-cord and retaining them in position to be passed through the eyelet holes of an upper, a work-positioner, means acting to automatically change the relation of the work-positioner, and loop-forming means to retain the upper in position, and means for passing a locking-cord through the loops between the work-positioner and the upper, substantially as described. (3.) A machine for lacing shoe-uppers, having, in combination, means for forming a series of loops in a lacing-cord and retaining them in position to be passed through the eyelet holes of an upper, means for passing a locking-cord through the loops, a work-positioner provided with an outwardly curved work-engaging end, means acting to automatically change the relation of the work-positioner and loop-forming means to retain the work out of the path of the means for passing the locking-cord through the loops, substantially as described.

[NOTE.—Here follow fourteen other claims.]

(Specification, £1 15s.)

No. 25643.—4th March, 1909.—UNITED SHOE MACHINERY COMPANY, of Paterson, in the State of New Jersey, United States of America, a corporation duly organized under the laws of said State of New Jersey, carrying on business as Shoe-machinery Manufacturers, and having a place of business at 205 Lincoln Street, Boston, Massachusetts, United States of America (assignees of Arthur Ernest Jerram, of Leicester, England, Engineer). Improvements in or relating to feeding-mechanisms for shoe-machinery.*

Claims.—(1.) In a machine for inserting one by one a plurality of eyelets, nails, or the like into similar but reversely shaped parts of boots or shoes, the employment of a device arranged to feed the work in either of two directions, in order to equalise the facility of handling or of locating either of two reversely shaped pieces in the machine. (2.) For a machine that hammers or presses successively eyelets, nails, or the like into work, and for the purpose of facilitating operations upon similar but reversely shaped parts of boots or shoes that are customarily fed from right to left but that are better adapted for feeding in a reverse direction, the employment of a work-feeding device capable of intermittently engaging and feeding the work from the left of the operator toward the right, with or without means to adjust the extent of the feeding-motion.

[NOTE.—Here follow ten other claims.]

(Specification, 16s.)

No. 25700.—13th March, 1909.—RICHARDSON BENNET, of 143 Buckley Street, Footscray, Victoria, Australia, Engineer. Improvements in or relating to fishing-line reels.*

Claims.—(1.) In improvements in or relating to fishing-reels, a divided spring ring secured to the interior of a reel-frame by a holdfast, a major spring leg and a minor spring leg to said spring ring, each spring leg having an upturned end bearing on a pawl, a crank-movement adjusting said pawl in its relation to a toothed disc.

[NOTE.—Here follow two other claims.]

(Specification, 7s. 6d.)

No. 26280.—22nd July, 1909.—CHARLES SUTTIE, of Waiharoa, New Zealand, Flaxmiller, and MONTAGUE HARRISON WYNYARD, of Auckland, New Zealand, Solicitor. Improvements in flax-catching contrivances.*

Claims.—(1.) An apparatus for hanging New Zealand flax as it leaves the stripper across a band (as a rope, chain, wire, or the like) or a bar, comprising an open chute hinged at its upper end to a fixed pivot or hinge, and positioned so that the butts of the descending flax will pass along its face, such chute being operated by movement given to it, so that after the butts have descended a certain distance on one side of the band or bar the lower extremity of the chute will be moved over and across the band or bar, and the remaining portion of the flax will fall on the other side of such band or bar, thereby hanging the flax across such band or bar, substantially as and for the purposes described.

[NOTE.—Here follow six other claims.]

(Specification, 5s. 6d.)

No. 26434.—18th August, 1909.—LEWIS GRANT ABRAMS, of John Street, Glebe Point, Sydney, New South Wales, Australia, Broom, Brush, and Bellows Manufacturer (assignee of Hugh M. Marsh, of 2451 Fifty-sixth Street, Chicago, Illinois, U.S.A.). An improved millet or broom-corn broom and the like, or brushes.*

Extract from Specification.—I use a pair of interlocking hollow half fittings or clamps, each having a shank curved to form a socket or receiving-member for the handle; the jaws of the hollow half fittings or clamps are made to extend parallel and are bowed outward transversely, their lower edges being recurved to form a rounded gripping-seat.

[NOTE.—The above extract from the specification is inserted in place of the claims.]

(Specification, 5s. 6d.)

No. 26576.—13th September, 1909.—DAVID MORRISON, of Gisborne, New Zealand, Surgeon. Improvements in playing-cards.*

Claim.—A pack of playing-cards made up of a number of suits or sets of cards, each distinguishable from the others by a distinctive character imprinted or otherwise marked thereon, and each suit or set being composed of a number of cards each divided into halves, and having its respective distinctive characters printed thereon in numbers varying in the proportion of the number of those on the one half to those on the other half, substantially as specified.

(Specification, 3s.)

No. 26684.—13th October, 1908.—EDWARD JAMES HORWOOD, of Lane Street, Broken Hill, New South Wales, Australia, Mining Engineer. Improvements in and relating to the separation of zinc-blende and other metalliferous constituents from ore-concentrates and slimes by flotation or granulation.

[NOTE.—This is an application under the International and Inter-colonial Arrangements, the date given being the official date of the application in Australia.]

Claims.—(1.) Subjecting crude ore-concentrates, slimes, or product of mixed sulphides to a preliminary treatment at which the character or compound of some of its contained sulphide particles is variously altered or changed in composition and in relation to flotation, and then subjecting the resultant to a flotation or granulation process for the purpose of dividing the different mineral particles or separating the zinc-blende or other sulphide the one from the other or others.

[NOTE.—Here follow five other claims.]

(Specification, 7s. 6d.)

No. 26752.—15th October, 1909.—SAMUEL BARNINGHAM, of Dunedin, New Zealand, Ironfounder, Engineer, and Rangel-maker. Improvements in ranges.

Claims.—(1.) In ranges, in combination, a short-circuit controlling damper or valve, having a straight pull, with a circulator, hit-or-miss controlling ventilator, substantially as shown on the drawing, and as described and as explained. (2.) In ranges, in combination, the back flue eased or sloped up for better distribution of heat, with the arrangement of the fire-grate and front bars for raising or lowering same, substantially as set forth. (3.) In combination in a range, a straight pull, short-circuit damper, the back flue sloped, the grate and front bars made so as to alter their height relatively to the hot-plate, and the front circular hit-or-miss ventilator for controlling the amount of air for combustion, all substantially as set forth.

(Specification, 4s.)

No. 26795.—30th March, 1909.—WILLIAM EDGAR GOSS, of 776 Hay Street, Perth, Western Australia, Manufacturer. Improved acetylene-gas generator.

[NOTE.—This is an application under the International and Inter-colonial Arrangements, the date given being the official date of the application in Australia.]

Claims.—(1.) An acetylene-gas generator having its carbide-chamber contained within a bell or dome or air-chamber as *b*, substantially as set forth, and illustrated in the drawing. (2.) A carbide-chamber as above claimed in whose bell or dome is formed an air vent or release, said vent being controlled by a balanced or self-closing valve, and which valve,

upon the fall of the gas-holder, is opened by the down-tilt of a rod, substantially as set forth, and as illustrated in the drawing. (3.) An acetylene-gas generator having a purifier as *m*1 and a gas-deflector or hood as *m*, substantially as set forth, and illustrated in the drawing. (4.) The peculiar construction and combination of parts all working together in a punctual and fellowship manner, and constituting the generator substantially as set forth, described, and illustrated in the drawings.

(Specification, 3s. 6d.)

No. 26833.—2nd November, 1909.—THOMAS MASON, of Lockhart, New South Wales, Australia, Market Gardener. A detachable bucket-handle for kerosene-tins and suchlike receptacles.

Claims.—(1.) A detachable bucket-handle for kerosene-tins and suchlike receptacles, consisting essentially of the combination with a handle of a clip at each end having a slot adapted to engage the casing of the receptacle, and thumb-screw and screw-threaded hole for holding the same in place, substantially as described. (2.) A detachable bucket-handle for kerosene-tins and suchlike receptacles, consisting essentially of a handle B having a hook or loop B1 at each end, engaging a clip or lug C, having slots C2 adapted to engage the casing of the receptacle, and a thumb-screw D engaging a screw-threaded hole C3 passing through the slot C2 for clamping or holding the same in place, substantially as described.

(Specification, 3s.)

No. 26861.—3rd November, 1909.—ANDREW JOHN WHITESIDE, of Raupo, Auckland, New Zealand, Flax-miller. An improved method of handling flax and other fibrous substances and their products while being dressed.

Extract from Specification.—Feeding the green blades into the stripper by means of an improved screw elevator by placing the stripped blades on to an endless twin wire which conveys and securely holds the stripped blades while being wet-scuted or washed, and by automatically spreading the treated flax on to a series of wires, where it is left to dry and bleach, after which it is conveyed to a dry-scutch or like machine by a second twin wire, the gum and like impurities from the flax being collected into a trough situated beneath the wet-scutch or washer, and being distributed in heaps at will by means of scrapers working on an endless chain running within the trough.

[NOTE.—The above extract from the specification is inserted in place of the claims.]

(Specification, 12s. 6d.)

No. 26870.—8th November, 1909.—THOMAS BALLINGER, of 32 Victoria Street, Wellington, New Zealand, Plumber, and WILLIAM MILLIGAN, of Barker Street, Wellington aforesaid, Plumber. An improved spouting-bracket.

Claims.—(1.) A spouting-bracket made of one continuous strip of metal, having a corrugation at the part where it curves upwardly from the bottom, substantially as specified, and illustrated in the drawing. (2.) A spouting-bracket of one continuous piece, having its back bent downwardly to provide an extension from the bottom of the bracket, substantially as specified, and illustrated in Figs. 1 and 2. (3.) A spouting-bracket having its back in one upwardly extending member, and having a corrugation at the part where it curves upwardly from the bottom, substantially as specified, and illustrated in Fig. 3. (4.) A spouting-bracket having its rear portion in a single downwardly extending member, and having a corrugation at the part where it curves upwardly from the bottom, substantially as specified, and illustrated in Fig. 4.

(Specification, 2s. 9d.)

No. 26893.—10th November, 1909.—JAMES CARTER, trading as "The Canterbury Engineering Company," of 201 Kilmore Street, Christchurch, New Zealand. An improved spray pump and nozzle.

Claim.—The method of fixing barrel in air-chamber, the arrangement of valves in relation to air-chamber, and the construction of spray-nozzle, substantially as described, and shown in drawings.

(Specification, 2s. 6d.)

No. 26898.—10th November, 1909.—THE VAN KANNEL REVOLVING DOOR COMPANY, LIMITED, of 5 Bedford Row, London, England (assignee of Theophilus Van Kannel, of West Virginia, United States of America, Gentleman). Improvements in and relating to revolving-doors and the like.

Claims.—(1.) A collapsible revolving-door in which the collapsing of the wings is effected by the rolling of the segments upon the pinions and the shifting of the fulcrum shoes in the grooves, for the purposes specified. (2.) In a revolving-door of the kind set forth in claim 1, the cable-lock on each wing so constructed as to slide radially upon the door-wing, and being adjustable as to the tautness of the cable, one end of which is detachably held and the other end yieldingly held, for the purposes specified. (3.) A collapsible revolving-door having its parts constructed, arranged, and adapted to operate substantially as described with reference to the drawings, for the purposes specified.

(Specification, 11s. 6d.)

No. 26921.—17th November, 1909.—THOMAS EDWARDS, of Webster Street, Ballarat, Victoria, Australia, Metallurgist. Improvements in and relating to agitators and disintegrators usable in conjunction with cyanide or other processes.

Claims.—(1.) Within a vat, a chamber combined with a lower disintegrating-ring external to propellers, substantially as indicated. (2.) Within a vat, adjustable baffle-plates external to a disintegrating-ring, substantially as indicated. (3.) Within a vat having propellers, baffle-plates having means for adjusting them collectively or separately. (4.) In a vat, the provision of a plurality of propellers, one above another, and each with blades intermediate to those of the propeller below it, and a cage or the like surrounding the propellers.

[NOTE.—Here follow eight other claims.]

(Specification, 9s.)

No. 26936.—19th November, 1909.—JAMES CAMPBELL TRAINOR, of Roslyn, Dunedin, New Zealand, Inventor. Improvement in discharging-elevator for ships.

Claims.—(1.) In ships, in combination, a bucket-elevator working in a casing capable of discharging material from any hold through which it passes, by the removal of covers at the desired points, said covers capable of being slid and pinned up to prevent material being taken where not wanted, with supplementary elevators consisting of buckets working on three tumblers adjustable by rods and pairs of swivelling-collars and set-screws, all substantially as shown on the drawing, and as described and as explained. (2.) In combination with ships, an elevator capable of sliding into and partly out of a casing, of being extended, and of being bent near the top tumbler, said elevator working in a fixed casing having movable covers, allowing material to be taken from any part that the said elevator passes, with supplementary elevators which are adjustable for conveying material from the more remote parts of holds, all substantially as set forth. (3.) In ships, in combination with main and supplementary elevators, trap-doors, and recessed portions for receiving material to be elevated, all substantially as set forth. (4.) In combination with ships, elevators for discharging certain cargo, supplementary elevators adjustable by rods and stanchions, with pairs of swivelling-collars, and driven by flexible shaft, said collars adjusting the three tumblers for various positions, all substantially as set forth.

(Specification, 5s.)

No. 26943.—23rd November, 1909.—THOMAS THOMASSEN SABROE, of 12 Colbjornsensgade, Copenhagen, Denmark, Merchant. Improvements in and connected with pulsators for pneumatic milking.

Claims.—(1.) In a pulsator for pneumatic milking having a valve, a slide, and a pneumatic member, such as a diaphragm, cylinder, or the like, the said slide and its reversing-device actuated by the said member being directly connected with the casing of the pulsator, substantially as and for the purpose set forth. (2.) In a pulsator such as specified in the preceding claim, an arm 8 connected with a valve 6, 7, and adapted to actuate a rod which is employed on the casing 2, 3 near the terminal position of the said valve to operate in connection with one or more springs, 38, 43, a suitable flat or cylindrical oscillating or reciprocating slide 14, substantially as and for the purpose set forth. (3.) In a pulsator such as specified in the preceding claims, and with

centrally arranged slide-casing 27, actuating the rod 12 on the casing 2, 3, direct from the member 1, substantially as and for the purpose set forth.

[NOTE.—Here follow six other claims.]

(Specification, 16s.)

No. 26944.—23rd November, 1909.—TARAFIRMA LIMITED, carrying on business as Tarmacadam Road Contractors, of 17 Victoria Street, Westminster, London, England (assignees of Richard Ames, of the same address, Engineer). A machine for drying, heating, and mixing tarmacadam.

Claims.—(1.) An apparatus for drying, heating, and mixing tarmacadam, consisting of a rectangular metallic structure divided by means of internal partitions into a drying and heating chamber, a furnace and flue, tar-tanks, and a tar-well, the apparatus being provided with an elevator to raise and deliver the material to be treated into the drying and mixing chamber, screens in the drying and heating chamber, a boiler for heating the tar or other substance with which the road-metal is to be coated, an elevator to raise the tarred material from the tar-well and to deliver it on to a reciprocating-screen in the mixing-chamber, a fan to remove hot air and moisture from the drying and heating chamber, and means for operating said elevators, conveyors, fan, and screen, all as specified.

[NOTE.—Here follow four other claims.]

(Specification, 13s. 6d.)

No. 26945.—12th January, 1909.—CHARLES DUTTON, Signal Superintendent, London, Brighton, and South Coast Railway Engineer's Office, London Bridge Station, London, England; and MCKENZIE AND HOLLAND, LIMITED, of 58 Victoria Street, Westminster, London, England, Railway-signal Engineers and Contractors. An improvement in signalling and interlocking for railways and tramways.

[NOTE.—This is an application under the International and Inter-colonial Arrangements, the date given being the official date of the application in Great Britain.]

Claims.—(1.) In railway signalling, the combination with a single line or pair of rails divided into block sections, of two sets of semaphore signals, &c., one set for controlling traffic in the "Up" direction over said line, and the other set for controlling traffic in the "Down" direction, operating levers therefor in the cabin, a set of block instruments in each cabin for each direction of running adapted to interlock with the signal and other levers, a master lever in each cabin adapted to interlock with the signal, &c., levers so that it frees the set of levers for "Up" working and locks those for "Down" working or *vice versa* according to its position, a double lock on said master lever so constructed and arranged that one lock-bolt secures the lever in the normal position only and the other bolt secures it in the reverse position only, keys for operating the respective lock-bolts, and a switch instrument in each cabin having a set of electrical circuit contacts for each direction of running adapted to be made and broken by the operation of the master-lever lock-keys in the said instrument, the arrangement being such that, with the master lever locked, say, in the position in which the "Up" signals are free, the "Up" key will be locked in the switch instrument, the "Up" block instrument and signalling circuits made, the "Down" key locked in the master-lever lock, and the "Down" block instrument and signalling circuits broken down, and *vice versa*, substantially as set forth.

[NOTE.—Here follow two other claims.]

(Specification, 16s. 6d.)

No. 26950.—24th November, 1909.—MYRA JULIET TAYLOR, of Park Street, Hackney, South Australia, Gentlewoman. An improved skirt and pattern drafting implement.

Extract from Specification.—I provide what I term a waist-line or segment-plate which is furnished with various holes and lines as well as with a groove or guide. A special metallic tape is also provided for use in conjunction with the waist-line or segment-plate, having links of varying lengths marked in accordance with the markings of the segment-plate, and I also use a graduated travelling beam or compass. These several parts when used in combination with each other as explained furnish all that is necessary for the cutter to determine the outline of the various gores of a skirt or similar garment.

[NOTE.—The above extract from the specification is inserted in place of the claims.]

(Specification, 9s. 6d.)

No. 26958.—18th December, 1908.—CHARLES ROLLIN, B.Sc., F.G.S., of 1 St. Nicholas Buildings, Newcastle-on-Tyne, England, Chemical-manufacturer, and the HEDWORTH BARIUM COMPANY, LIMITED, of 1 St. Nicholas Buildings, Newcastle-on-Tyne, aforesaid, Chemical-manufacturers. Improvements in the manufacture of barium compounds.

[NOTE.—This is an application under the International and Inter-colonial Arrangements, the date given being the official date of the application in Great Britain.]

Claims.—(1.) The manufacture of amorphous anhydrous barium hydrate in a condition admitting of its ready conversion into barium oxide by heating crystallized barium hydrate in a partial vacuum at a comparatively low temperature. (2.) The manufacture of barium oxide in a porous condition from amorphous anhydrous barium hydrate by intimately mixing with the amorphous barium hydrate a barium compound, such as barium peroxide or barium nitrate, capable of evolving gas when heated, and of leaving a residue consisting substantially of barium oxide, and heating the mixture to a high temperature as set forth. (3.) The manufacture of barium oxide according to the last preceding claim by heating the mixture of amorphous barium hydrate and barium peroxide or equivalent barium compound to a temperature of from 600° to 1,000° C. (six hundred to one thousand degrees Centigrade) upon a bed of barium oxide in an externally heated enclosed space or chamber, substantially as described. (4.) A process for producing barium oxide in a porous condition from crystallized barium hydrate by heating the crystallized barium hydrate in a partial vacuum at a comparatively low temperature so as to form a soft white porous mass of amorphous barium hydrate, intimately mixing with such barium hydrate a barium compound such as barium peroxide or barium nitrate capable of evolving gas when heated, and rapidly heating the mixture to a high temperature in an enclosed space upon a bed of barium oxide. (5.) The described manufacture of barium oxide in a porous condition from crystallized barium hydrate.

(Specification, 5s. 6d.)

No. 26961.—24th November, 1909.—ALBERT EDWARD STEPHENSON, of 31 Mason's Avenue, Ponsonby, Auckland, New Zealand, Carpenter. An improved cattle-medicine.

Claims.—(1.) The improved cattle-medicine specified, made of pine-oil, linseed-oil, spirit of turpentine, nitre of saltpetre, and sulphuric acid, in the proportions of about 16 quarts of pine-oil, of about 1 quart of linseed-oil, of about 1 quart of spirit of turpentine, of about 1 lb. avoirdupois weight of nitre of saltpetre ground to a powder, and from about 18 oz. to about 2 lb. avoirdupois weight of sulphuric acid, in the manner and for the purpose set forth as described. (2.) The arrangement, mixture, and combination of the ingredients specified in the manner and for the purpose set forth and described.

(Specification, 2s.)

No. 26963.—24th November, 1909.—ANTONIO CALICHIOPULO, of 7 Via Lagrange, Turin, Italy, Engineer. Improvements in and relating to sighting-devices.

Claims.—(1.) A sighting-device for topographical instruments, firearms, and the like of the kind in which two homologous apertures of unequal size and of appropriate shape are situated at a suitable distance apart, characterized by the fact that the relative width or diameter of said apertures is determined by lines extending from a point occupied by the eye of the observer and diverging at such an angle as to pass approximately through the side edges of both the apertures, the field of vision being thus left entirely free without any substantial diminution of the light reaching the eye of the observer. (2.) A sighting-device of the kind set forth in claim 1, and especially intended for use with the fore and back sights of a firearm, characterized by the fact that the aperture in the fore sight is formed in a frame or tubular piece whose external surface or outer edge is of such dimensions that when the aperture in the fore sight is observed through the aperture in the back sight and the two apertures are brought into axial coincidence, a luminous ring or annular space will appear between the edge of the aperture in the back sight and the outer edge of the frame or tubular piece of the fore sight, thereby enabling the necessity for definition to be dispensed with.

(Specification, 6s. 6d.)

No. 26971.—8th December, 1908.—EDWIN GOODWIN, of Spring Hill, Toowoomba, Queensland, Australia, Engine-driver. Combined automatic isolating and communicating compressed-air valve.

[NOTE.—This is an application under the International and Inter-colonial Arrangements, the date given being the official date of the application in Australia.]

Claims.—(1.) In a combined automatic isolating and communicating compressed-air valve, the combination of the main valve 1, having screwed openings at each end for pipe connection, a cylinder screwed into top of same provided with a vent-hole, a cover screwed into the top of the said cylinder and having an opening screwed for pipe-connection, as described, and illustrated by drawings. (2.) In a combined automatic isolating and communicating compressed-air valve, the combination of a hollow stem with valve head, within a cylinder, a piston and packing-ring fastened to said stem by washer and check-nuts, a washer on hollow stem beneath the piston, a perforated plate screwed down to its seat by a screwed cover, a solid stem fixed to the perforated plate, and having a tapered end adapted to close the hole in the valve-head, and a spiral spring holding piston in position, as described, and illustrated by drawings.

(Specification, 4s.)

Copies of drawings may be obtained at the uniform price of 1s. each. In exceptional cases this price may be increased at the discretion of the Office.

An asterisk (*) denotes the complete specification of an invention for which a provisional specification has been already lodged.

NOTE.—The cost of copying the specification has been inserted after the notice of each application. An order for a copy or copies should be accompanied by a post-office order or postal note for the cost of copying.

The date of acceptance of each application is given after the number.

Extracts from the drawings accompanying the foregoing complete specifications appear at the end of this Gazette.

J. C. LEWIS,
Registrar.

Provisional Specifications accepted.

Patent Office,
Wellington, 15th December, 1909.

APPLICATIONS for Letters Patent, with provisional specifications, have been accepted as under:—

- No. 26700.—C. V. Roberts, geographical game.
- No. 26799.—J. Robertson, window-sash attachment.
- No. 26872.—H. Mander, swingletree-hook.
- No. 26881.—C. Vagg, milk-can lid.
- No. 26902.—A. M. Lord and F. A. Barnard, cow-salve.
- No. 26903.—W. E. Holden, advertising-apparatus.
- No. 26908.—R. Taberner, appliance for recutting valve-seats.
- No. 26914.—J. P. Carmine, tea-infuser.
- No. 26928.—H. Worthington, rat-trap for ships' hawsers.
- No. 26939.—H. F. Chaffey, tramcar guard-rail.
- No. 26941.—R. Taberner, strainer and petrol-gauge.
- No. 26942.—E. Lobley and A. Lawrence, milk-can.
- No. 26946.—J. H. Hyland, water-heater, &c.
- No. 26947.—W. H. J. Ridley, battery or process for obtaining gold from sand.
- No. 26952.—C. E. Honeyfield, milking-machine teat-cup.
- No. 26954.—C. N. Hodder and N. Clegg, advertising and displaying device.
- No. 26955.—E. M. Baker, rat-poison.
- No. 26956.—H. W. Tristram and F. W. Horkerday, animal-sling.
- No. 26957.—C. E. Honeyfield, milking-machinery.
- No. 26959.—P. M. Compton, cow-bail, &c., door closer and fastener.
- No. 26964.—C. A. Kidd, water-closet basin.
- No. 26965.—E. J. Chilton, water closet flush.
- No. 26966.—M. Leser, umbrella.
- No. 26969.—W. S. Hart and J. H. Ormond, evaporating filter-cooler.
- No. 26973.—O. Edwards, F. R. Young, and J. H. Young, sheep-shearing-machine cutter.
- No. 26974.—J. Grant and W. L. Oldman, hat-pin.
- No. 26979.—A. J. Cotton, obtaining power from the engines of motor-cars.
- No. 26981.—W. J. H. Beach, aeroplane.

[NOTE.—Provisional specifications cannot be inspected, or their contents made known by this office in any way, until the complete specifications in connection therewith have been accepted.]

B

Letters Patent sealed.

LIST of Letters Patent sealed from the 17th November to the 6th December, 1909, inclusive:—

- No. 24259.—M. Saunders, tide-motor.
- No. 24344.—C. Suttie and M. H. Wynyard, holding flax-fibre on wires.
- No. 24346.—C. Suttie and M. H. Wynyard, flax-dressing.
- No. 24728.—R. Andrews, plough.
- No. 24775.—H. Bostock, boots and shoes. (E. Bostock.)
- No. 24779.—T. W. Mayson and J. Edgar, life-saving catcher for tramcar, &c.
- No. 24780.—Wilson's Portland Cement Company, water-proof cement. (S. B. Newberry.)
- No. 24805.—H. Beaney, friction joint.
- No. 24807.—J. Upchurch, carpenters' bench-stop.
- No. 24812.—E. Roberts, flexible-jointed spoil-pipe.
- No. 24813.—G. H. MacEwan, driving-mechanism for milk and curd-agitating apparatus. (R. W. D. Robertson.)
- No. 24841.—D. Richardson and R. Gillespie, determining moisture in wool, hemp, &c.
- No. 24860.—P. A. and C. W. Le Marquand, utilising exhaust from engines for heating liquids.
- No. 24904.—T. Ballinger and Co., Limited, cinder-sifter. (T. Ballinger.)
- No. 24930.—C. B. Smith, elastic book-binding.
- No. 24961.—A. Ferris and J. J. Poynton, post-hole digger.
- No. 24974.—A. Cederman and J. Peake, jun., steam-turbine.
- No. 24993.—W. W. Gundrie, bucket, &c., handle.
- No. 24998.—M. Herrick, milk-cooling platform.
- No. 25036.—A. W. Collett, friction winch.
- No. 25042.—J. A. Paterson, hydrocarbon-gas production.
- No. 25124.—J. G. O'Brien, gas-stove boiler.
- No. 25343.—T. McDonough, wool scouring and drying machine.
- No. 25533.—Victor Automatic Carriers, Limited, newspaper-carrier. (V. Filteau.)
- No. 25570.—C. Reed, window sash and frame.
- No. 25649.—X. C. A. Du Homme de Sainte Croix, safety-device for stopping lift.
- No. 25792.—J. B. Sauve and F. Bernardi, electrical fuse-spitter.
- No. 26203.—S. F. Galagher and C. P. Rendle, combining leather and rubber. (L. Robinson.)
- No. 26229.—G. V. Barton, salts or oxides of lead.
- No. 26242.—W. A. Chambers and W. H. Booth, gas from hydrocarbon oils.
- No. 26335.—A. Wilshire, sulky-seat.
- No. 26350.—A. B. Bettington, decaudating and cauterizing instrument.
- No. 26439.—D. Maggiora and M. Sinclair, phonograph and record.
- No. 26440.—A. J. L. Lassen, capsuling bottles.

Letters Patent on which Fees have been paid.

[NOTE.—The dates are those of the payments.]

SECOND-TERM FEES.

- No. 20402.—J. Anderson and J. D. Hunter, liquid-measures. 29th November.
- No. 20436.—H. P. Barry, lining for tube mills, &c. 8th December.
- No. 20458.—A. B. Robertson and R. W. Bond, cow-bailing appliance. 9th December.
- No. 20465.—J. Turton, extraction of metals from ores. 7th December.
- No. 20471.—A. Collier, cheque form. 8th December.
- No. 20483.—C. Kolling, automatic discharge of goods-elevator. 8th December.
- No. 20514.—United Xpedite Finishing Company, heel-finishing machine. (C. B. Tuttle.) 8th December.
- No. 20554.—United Shoe Machinery Company, sole-pressing pad. (H. A. Davenport.) 8th December.
- No. 20661.—B. and W. Trewhella, lifting-jack. 8th December.
- No. 22159.—A. Gentzsch, utilisation of waste rubber. 6th December.

THIRD-TERM FEES.

- No. 15827.—United Shoe Machinery Company, heel-compressing machine. (S. D. Leland.) 8th December.
- No. 15828.—United Shoe Machinery Company, heel-compressing machine. (C. L. Allen.) 8th December.
- No. 15834.—United Shoe Machinery Company, shoe-sewing machine. (F. L. Alley.) 8th December.
- No. 15938.—United Shoe Machinery Company, waxing threads and cords. (F. L. Alley.) 8th December.

Subsequent Proprietor of Letters Patent registered.

[NOTE.—The name of the former proprietor is given in brackets; the date is that of registration.]

NO. 21270.—Taylor's Patent Safety Shunting Lever, Limited, of No. 60 Broad Street Avenue, London, England, Engineers. Operating railway-points. (W. Taylor.) 3rd December, 1909.

Notices of Requests to amend Specifications.

Patent Office,
Wellington, 15th December, 1909.

REQUESTS for leave to amend the undermentioned applications for Letters Patent have been received, and are open to public inspection at this office. Any person may, at any time from one month from the date of this *Gazette*, give me notice in writing of opposition to the amendments. Such notice must set forth the particular grounds of objection, and be in duplicate. A fee of 10s. is payable thereon.

No. 23527.—Morgan and Co., Limited, and S. J. and J. M. Hale. Acetylene generator. (G. L. Burton.) (Advertised in Supplement to *New Zealand Gazette*, No. 98, of the 14th November, 1907.)

The nature of the proposed amendments is as follows:—

(1.) To insert the words "generating-chamber" instead of "gas-holder," line 17, page 2; the words "cylindrical carbide-holder" instead of "cylinder," line 17, page 2; and the word "holder" instead of "cylinder," line 19, page 2.

(2.) To insert the word "downwards" after "leads," line 13, page 3; and "and upwards" instead of "downwards," line 13, page 3.

(3.) To insert the words "generating-chambers" instead of "generators," line 1, page 4; to strike out the words "top end of the," line 9, page 4; and to insert the word "with" instead of "to cover the top end of," lines 10 and 11, page 4.

(4.) To insert the following additional claim: "3. An acetylene-gas generator characterized by having a generating chamber or chambers open at the top, extending downwards from the top end of the gas-holder, and communicating at the bottom with the water and the generator, substantially as and for the purposes set forth."

The applicant states, "My reasons for making this amendment are as follow: For the purpose of more clearly explaining the invention and defining the scope of the claims."

No. 25749.—E. Arnold. Ventilating system. (Advertised in Supplement to *New Zealand Gazette*, No. 71, of the 26th August, 1909.)

The nature of the proposed amendments is as follows:—

(1.) After the word "muslin," line 5, page 2, insert the following: "a curtain 5 to raise or drop inside space 3 made of the material (asbestos, I think it is) that stage footlight curtains are made of, or those used in drapers' windows, or other material if desired, to work from the inside on a spring roller."

(2.) After the words "if desired," line 16, page 2, insert the following: "or fasten by running a bar of iron or brass 11 up the walls to be stopped and held when high enough by means of a little handle on peg 12; butter muslin could be prepared in colours to match walls, or not used at all. A division 13 to be made where desired in space 3, or to be a continuous space throughout building."

(3.) In the claim to insert the words "of ventilation" instead of "described," line 2; to insert "or not as desired" after "side," line 8; and to insert after "desired," line 12, the following: "a curtain to be placed inside openwork, to raise or drop, to exclude dust when desired; space to be extended all round and throughout a room or building, or as small as desired."

The applicant states, "My reasons for making this amendment are as follow: To more clearly describe the nature of the invention, and to make it more practicable."

No. 26144.—W. Keymer and F. Parsons. Gas-oven boiler. (Advertised in Supplement to *New Zealand Gazette*, No. 71, of the 26th August, 1909.)

To add the following name and address to the application and specification: "George Henry Clymo, of the City of Auckland, Gas Superintendent."

The applicants state, "The reason for amendment is so as to include the name of George Henry Clymo in the application."

J. C. LEWIS,
Registrar.

Applications for Letters Patent abandoned.

LIST of applications, with which provisional specifications only have been filed, abandoned (*i.e.*, complete specifications not lodged) from the 27th November to the 10th December, 1909, inclusive:—

- No. 25492.—W. W. Boyes, ship-propeller.
- No. 25500.—H. Hadida, coin-freed machine.
- No. 25502.—T. and H. Vivian, hair-curler.
- No. 25503.—F. H. Trevellian, document-file.
- No. 25506.—A. Lyell, non-refillable bottle.
- No. 25507.—A. P. Carlyle, clothes-washing machine.
- No. 25528.—A. K. W. Rissel, ship's-course recorder.
- No. 25529.—C. Craig, recovering valuables from sunken ships.
- No. 25530.—L. G. Grace, power device.
- No. 25534.—T. S. Philpott, voting-machine.
- No. 25535.—J. O. Suckling, A. H. Herbert, and E. Page, flushing-mechanism.
- No. 25537.—S. D. McMiken, steel and iron protecting in reinforced concrete.
- No. 25541.—J. Geary, rail-joint.
- No. 25542.—F. M. Norris, non-refillable bottle.
- No. 25545.—D. A. Lane, shaft-block.

Applications for Letters Patent void.

APPPLICATIONS for Letters Patent, with which complete specifications have been lodged, void owing to non-acceptance of such complete specifications, from the 27th November to the 10th December, 1909, inclusive:—

- No. 24876.—T. Pennal, plough.
- No. 24881.—A. F. Kinney, sheep-dipping apparatus.
- No. 24888.—T. R. Bond, hoe.

Applications for Letters Patent lapsed.

APPPLICATIONS for Letters Patent lapsed, owing to Letters Patent not being sealed, from the 27th November to the 10th December, 1909, inclusive:—

- No. 24450.—A. J. Woodley, animal-cover fastening.
- No. 24465.—J. M. Willetts, chaff cutter and bagger.
- No. 24466.—R. McDonald, swingletree-hook.

Letters Patent void.

LIST of Letters Patent void through non-payment of renewal fees, and through expiry of term of fourteen years, from the 27th November to the 10th December, 1909, inclusive:—

THROUGH NON-PAYMENT OF SECOND-TERM FEES.

- No. 19946.—D. Halpin, thermal storage.
- No. 19954.—H. T. Griffiths and G. E. Andrews, package for foodstuffs.
- No. 19958.—V. J. Kness, soap-manufacture.
- No. 19961.—J. I. Moss, window-lock.
- No. 19962.—J. G. Leyner, rock-drill engine.
- No. 19966.—W. E. L. Laugesen and L. E. Hogbacka, saw-bench and surface planer.
- No. 19969.—H. Jane, water-heater.
- No. 19971.—J. Pomeroy, paper-file.
- No. 19975.—A. M. Grainger, weed-plough.
- No. 19978.—W. Davidson, cart-brake.
- No. 19980.—S. Smith, shoe.
- No. 19985.—O. C. Beale and C. J. Vader, piano-door.
- No. 19986.—British-American Tobacco Company, Limited, cigarette-machine. (E. L. Behrmann.)
- No. 19987.—H. Pieper, electric machine-governor.
- No. 19988.—J. Macdougall and E. Southouse, manufacturing hollow-ware.
- No. 19990.—D. Charleston, compound for sealing punctures.
- No. 19998.—J. Bary, cleaning tails off flax. (T. Branton.)
- No. 20014.—Kempthorne, Prosser, and Co.'s New Zealand Drug Company, Limited, manufacture of culinary essences.
- No. 21115.—S. F. Mudge, wheel-tire.

THROUGH NON-PAYMENT OF THIRD-TERM FEES.

- No. 15316.—W. Rowe, railway-traffic-control system.
- No. 15345.—F. Alexe, barrel.
- No. 15356.—P. H. Dando, chamber utensil.
- No. 15368.—D. R. S. Galbraith, milk-food.

THROUGH EXPIRY OF TERM.

- No. 8089.—Felten and Guillaume Carlswerk, Actiengesellschaft, insulating electric conductors. (T. Guillaume.)
- No. 8134.—J. and H. M. Copeland, bicycle.

Design registered.

A DESIGN has been registered in the following name on the date mentioned:—

No. 498.—Frederick Alfred William Ansell and George Henry Spencer, trading as "Ansell and Spencer," of Auckland, N.Z., Tinsmiths. Class 1. 4th December, 1909.

Applications for Trade Marks filed.

LIST of applications for registration of Trade Marks filed from the 27th November to the 10th December, 1909, inclusive:—

- No. 8417.—24th November.—Dunlop Rubber Company of Australasia, Limited, Melbourne, Vic. Class 40.
- No. 8418.—25th November.—D. W. Virtue and Co., Wellington, N.Z. Class 42.
- No. 8419.—26th November.—Tootal, Broadhurst, Lee Company, Limited, Manchester, Eng. Class 25.
- No. 8420.—26th November.—A. W. Bickerton, Christchurch, N.Z. Class 20.
- No. 8421.—29th November.—Hayward Bros. and Co., Limited, Christchurch, N.Z. Class 47.
- No. 8422.—1st December.—Robertson Bros., Auckland, N.Z. Class 46.
- No. 8423.—1st December.—Hutchinson Bros., Limited, Auckland, N.Z. Class 42.
- No. 8424.—1st December.—W. F. Tucker and Co., Auckland, N.Z. Class 42.
- Nos. 8425 and 8426.—1st December.—Magnolia Soap Company, Sydney, N.S.W. Classes 47 and 48.
- No. 8427.—1st December.—R. I. Clark and Co. (Australasia), Limited, Sydney, N.S.W. Class 1.
- No. 8428.—1st December.—D. Hayward, Limited, Bloxwich, Eng. Class 50.
- No. 8429.—4th December.—A. L. Baird and A. E. Coe, Devonport, N.Z. Class 49.
- Nos. 8430 and 8431.—4th December.—J. R. Dodson and Son, Nelson, N.Z. Classes 43 and 44.
- No. 8432.—6th December.—W. J. Bullock, Dunedin, N.Z. Class 2.
- No. 8433.—6th December.—Joyce Bros., Dunedin, N.Z. Class 24.
- No. 8434.—7th December.—H. O. Wiles, Auckland, N.Z. Class 3.
- No. 8435.—7th December.—Monkhouse and Glasscock, Limited, Snowfields, Eng. Class 42.
- No. 8436.—7th December.—W. M. Storey, Leicester, Eng. Class 33.
- No. 8437.—8th December.—J. E. Goldfinch, Auckland, N.Z. Class 48.
- No. 8438.—8th December.—George, Doughty, and Co., Wellington, N.Z. Class 38.
- No. 8439.—8th December.—Welch, Margetson, and Co., London, Eng. Class 38.

Applications for Registration of Trade Marks.

Patent Office,
Wellington, 15th December, 1909.

APPPLICATIONS for registration of the following Trade Marks have been received. Notice of opposition to the registration of any of these applications may be lodged at this office within two months of the date of this *Gazette*. Such notice must be in duplicate, and accompanied by a fee of £1.

No. of application: 8294.
Date: 12th October, 1909.

TRADE MARK.

The word

PUROL.

NAME.

COLLETT AND Co., of Currie Street, New Plymouth, in the Dominion of New Zealand, Produce-exporters.

No. of class: 42.
Description of goods: Salt.

No. of application: 8342.
Date: 21st October, 1909.

TRADE MARK.



The essential particulars of this trade mark are the word "Nimrod" and the device; and any right to the exclusive use of the added matter is disclaimed.

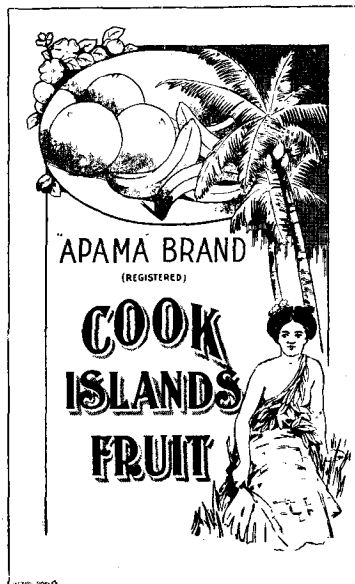
NAME.

DAVID G. BROWN, of Masterton, in the Provincial District of Wellington, in the Dominion of New Zealand, Cycle Engineer.

No. of class: 22.
Description of goods: Bicycles and motor-cycles.

No. of application: 8358.
Date: 28th October, 1909.

TRADE MARK.



The essential particulars of this trade mark are the distinctive label and the word "Apama"; and any right to the exclusive use of the added matter is disclaimed.

NAME.

PETER HERCUS, of Christchurch, in the Dominion of New Zealand, Company-manager.

No. of class: 42.
Description of goods: Fruit.

No. of application : 8361.
Date : 3rd November, 1909.

TRADE MARK.



NAME.

JONATHAN DEARDEN AND Co., LIMITED, of Gibraltar Mill, off Deane Road, Bolton, in the County of Lancaster, England, Spinners and Manufacturers.

No. of class : 24.
Description of goods : Cotton piece-goods.

No. of application : 8383.
Date : 16th November, 1909.

TRADE MARK.

Thermos

NAME.

THERMOS LIMITED, of 8 Long Lane, in the City of London, England, Manufacturers.

No. of class : 15.
Description of goods : Glass vessels.

No. of application : 8403.
Date : 19th November, 1909.

TRADE MARK.



The essential particular of this trade mark is the device; and any right to the exclusive use of the added matter is disclaimed.

NAME.

AUCKLAND CAKE COMPANY, of the City of Auckland, in the Dominion of New Zealand, Bakers and Confectioners.

No. of class : 42.

Description of goods : Substances used as food or as ingredients in food, such as sago; salt; sugar; confectionery of all descriptions; cakes of all descriptions, including large cakes (slab or raised), cakes sold in blocks, Balmoral cakes, Roslyn cakes, gingerbread, shortbread, rusks, oatcakes, wedding-cakes, pastry, bakers' fancy goods, muffins and crumpets, malt digestive bread, wheatmeal bread, Vegameal bread, oatmeal bread.

No. of application : 8414.
Date : 23rd November, 1909.

TRADE MARK.

The word

PERFEXA.

NAME.

GROS MILLION AND Co., of 8-9 Friday Street, London, Tulle-manufacturers.

No. of class : 31.
Description of goods : Tulle.

No. of application : 8416.
Date : 24th November, 1909.

TRADE MARK



The essential particulars of this trade mark are the distinctive device and the word "Webco"; and any right to the exclusive use of the added matter is disclaimed.

NAME.

WILLIAM HENRY COOPER, trading as "W. H. Webb and Co.," of Victoria Mills, and 33 Aire Street, Leeds, Yorkshire, England, Manufacturer.

No. of class : 34.

Description of goods : Woollen and worsted serges in the piece, fancy and plain.

No. of application : 8418.
Date : 25th November, 1909.

TRADE MARK.

The word

DAISY.

NAME.

D. W. VIRTUE AND Co., of Wellington, in the Dominion of New Zealand, Merchants.

No. of class : 42.
Description of goods : Rolled oats.

No. of application : 8420.
Date : 26th November, 1909.

The word

TRADE MARK.

FLAMOS.

NAME.

Professor ALEXANDER WILLIAM BICKERTON, of Wainoni Park, Christchurch, in the Dominion of New Zealand, Fireworks Manufacturer.

No. of class : 20.
Description of goods : Fireworks.

No. of application : 8421.
Date : 29th November, 1909.

The word

TRADE MARK.

SOPEX.

NAME.

HAYWARD BROS. AND Co., LIMITED, of 171 Peterborough Street, Christchurch, in the Dominion of New Zealand.

No. of class : 47.
Description of goods : All goods included in this class.

NOTE.—Class 47 is for "Candles; common soap; detergents; illuminating, heating, or lubricating oils; matches; and starch, blue, and other preparations for laundry purposes, such as washing-powders, benzine."

No. of application : 8424.
Date : 1st December, 1909.

TRADE MARK.



The essential particulars of this trade mark are the design and the words "Jellona" and "Sunshine"; and any right to the exclusive use of the added matter is disclaimed.

NAME.

W. F. TUCKER AND Co., of Khyber Pass, Auckland, in the Dominion of New Zealand.

No. of class : 42.
Description of goods : Jellona and cream.

No. of application : 8425.
Date : 1st December, 1909.

TRADE MARK.

MAGNOLIA

NAME.

MAGNOLIA SOAP COMPANY, of Reynolds Street, Balmain, near Sydney, State of New South Wales, Commonwealth of Australia, Soap-manufacturers.

No. of class : 47.
Description of goods : Soap, extract of soap, and washing-powders.

No. of application : 8425.
Date : 1st December, 1909.

TRADE MARK.

(The mark as shown in preceding notice, No. 8425.)

NAME.

MAGNOLIA SOAP COMPANY, of Reynolds Street, Balmain, near Sydney, State of New South Wales, Commonwealth of Australia, Soap-manufacturers.

No. of class : 48.
Description of goods : Toilet soap.

No. of application : 8427.
Date : 1st December, 1909.

TRADE MARK.

"ANTIPORE"

NAME.

ROBT. INGHAM CLARK AND COMPANY (AUSTRALASIA), LIMITED, of 38 Market Street, Sydney, State of New South Wales, in the Commonwealth of Australia, Paint and Varnish Manufacturers.

No. of class : 1.
Description of goods : Paints, japans, varnishes, driers, enamels, wood-fillers.

No. of application : 8428.
Date : 1st December, 1909.

The word

TRADE MARK.

DREADNOUGHT.

NAME.

DAVID HAYWARD, LIMITED, of Excelsior Works, Harrison Street, Bloxwich, in the County of Stafford, England, Brush-manufacturers.

No. of class : 50.
Description of goods : Brushes of all kinds, except artists' brushes and brushes of metal.

No. of application: 8433.

Date: 6th December, 1909.

The word **JOYCENETTE.**

TRADE MARK.

NAME.

JOYCE BROS., of 21 Bath Street, Dunedin, in the Dominion of New Zealand, Calico, Hessian, Flax, and Jute Bag Manufacturers.

No. of class: 24.

Description of goods: Cotton, scrim, and other cotton piece-goods.

J. C. LEWIS,
Registrar.

Applications for Trade Marks abandoned or refused.

LIST of applications for registration of Trade Marks abandoned or refused from the 27th November to the 10th December, 1909, inclusive:—

- No. 7539.—29th August, 1908.—A. H. Wright, Dunedin, N.Z. Class 49.
 No. 7566.—14th September, 1908.—J. E. Bain, Christchurch, N.Z. Class 48.
 No. 7577.—23rd September, 1908.—R. and E. Tingey and Co., Limited, Wellington, N.Z. Class 1.
 No. 7596.—3rd October, 1908.—A. H. Wright, W. Morton, and J. Hercus, Dunedin, N.Z. Class 13.
 No. 7608.—12th October, 1908.—A. N. Field, Wellington, N.Z. Class 39.
 No. 7618.—16th October, 1908.—C. O. Josephson, Wellington, N.Z. Class 38.
 No. 7658.—6th November, 1908.—R. McKinlay and Son, Dunedin, N.Z. Class 38.
 No. 8195.—18th August, 1909.—Continental Caoutchouc- und Guttapercha Company, Hanover, Ger. Class 40.
 No. 8218.—26th August, 1909.—The Ridgway Society, Sydney, N.S.W. Class 3.

Applications for Trade Marks withdrawn.

THE following applications for Trade Marks have been withdrawn:—

- Nos. 8325 and 8326.—Gollin and Co. Proprietary, Limited. (Advertised in Supplement to *New Zealand Gazette*, No. 93, of the 4th November, 1909.)

Request for Amendment of Trade Mark Application.

NO. 7874.—J. Dewar and Sons, Limited. (Advertised in Supplement to *New Zealand Gazette*, No. 88, of the 21st October, 1909.)

To amend the statement of goods by restricting same to "Gin."

Trade Marks registered.

LIST of Trade Marks registered from the 27th November to the 10th December, 1909, inclusive:—

- No. 6510/7447.—Petrolite, Limited. Class 13. (*Gazette* No. 66, of the 12th August, 1909.)
 No. 6511/7895.—Continental C. and G. Rubber Company Proprietary, Limited. Class 40. (*Gazette* No. 30, of the 8th April, 1909.)
 No. 6512/8222.—The Maitland Brewing Company, Limited. Class 43. (*Gazette* No. 78, of the 23rd September, 1909.)
 No. 6513/8130.—A. and T. Burt, Limited. Class 18. (*Gazette* No. 66, of the 12th August, 1909.)
 No. 6514/8176.—Laidlaw, Leeds, and Co. Class 42. (*Gazette* No. 75, of the 9th September, 1909.)
 No. 6515/8190.—Tamaki Co-operative Dairy Company, Limited. Class 42. (*Gazette* No. 71, of the 26th August, 1909.)

No. 6516/7706.—G. W. Wilton and Co., Limited. Class 3. (*Gazette* No. 100, of the 10th December, 1908.)

No. 6517/8197.—Wright, Stephenson, and Co., Limited. Class 50. (*Gazette* No. 75, of the 9th September, 1909.)

No. 6518/8236.—Wright, Stephenson and Co., Limited. Class 37. (*Gazette* No. 75, of the 9th September, 1909.)

No. 6519/7452.—G. Davies. Class 38. (*Gazette* No. 78, of the 23rd September, 1909.)

No. 6520/8220.—A. Newcomb and Co. Class 50. (*Gazette* No. 78, of the 23rd September, 1909.)

No. 6521/8101.—Oxymel Oil and Anti-corrosive Paint Proprietary, Limited. Class 1. (*Gazette* No. 78, of the 23rd September, 1909.)

No. 6522/8177.—Morris, Little, and Son, Limited. Class 2. (*Gazette* No. 71, of the 26th August, 1909.)

No. 6523/8211.—Milne and Choyce, Limited. Class 24. (*Gazette* No. 75, of the 9th September, 1909.)

No. 6524/8237.—A. and T. Burt, Limited. Class 5. (*Gazette* No. 78, of the 23rd September, 1909.)

No. 6525/7720.—H. W. Guest. Class 48. (*Gazette* No. 7, of the 28th January, 1909.)

No. 6526/8127.—The W. H. Comstock Company, Limited. Class 3. (*Gazette* No. 66, of the 12th August, 1909.)

No. 6527/8232.—Societe Generale des Etablissements Bergognan and Cie. Class 40. (*Gazette* No. 75, of the 9th September, 1909.)

No. 6528/8178.—Bing, Harris, and Co., Limited. Class 38. (*Gazette* No. 71, of the 26th August, 1909.)

No. 6529/8219.—J. Burton. Class 48. (*Gazette* No. 75, of the 9th September, 1909.)

No. 6530/8221.—The C. A. Edgerton Manufacturing Company. Class 38. (*Gazette* No. 85, of the 7th October, 1909.)

Nos. 6531/7896, 6532/7897, 6533/7898, 6534/7899.—Hadfield Steel Foundry Company, Limited. Classes 5, 6, 13, 19. (*Gazette* No. 71, of the 26th August, 1909.)

Subsequent Proprietors of Trade Marks registered.

[NOTE.—The name of the former proprietor is given in brackets; the date is that of registration.]

Nos. 1819/1444, 3646/2818, 4473/3518, 4474/3519.—William Hollins and Co., Limited, of 25 and 26 Newgate Street, London, England, Spinners and Manufacturers. (W. Hollins and Co., Limited.) 26th November, 1909.

No. 2255/1809.—Martha Masters, the wife of Henry Masters, of Wellington, New Zealand, Settler. (T. Crump-ton.) 3rd December, 1909.

Trade Mark Renewal Fees paid.

FEES paid for the renewal of the undermentioned Trade Marks for fourteen years from the date first mentioned:—

No. 1579/1274.—5th December, 1909.—Coventry Machinists Company, Limited, Coventry, England. 4th December, 1909.

No. 1604/1327.—6th January, 1910.—James Buchanan and Co., Limited, London, England, also of Glasgow and Leith, Scotland. 4th December, 1909.

Nos. 1616/1372 and 1617/1373.—17th January, 1910.—The Excelsior Boot-manufacturing Company, Christchurch, New Zealand. 26th November, 1909.

Trade Marks removed from the Register.

TRADE Marks removed from the Register owing to the non-payment of the renewal fee, from the 27th November to the 10th December, 1909, inclusive:—

No. 1501/1223.—31st August, 1895.—S. E. Wood, of Auckland, New Zealand. Class 37.

No. 1502/1203.—31st August, 1895.—Watson, Laidlaw, and Co., Glasgow, Scotland. Class 7.

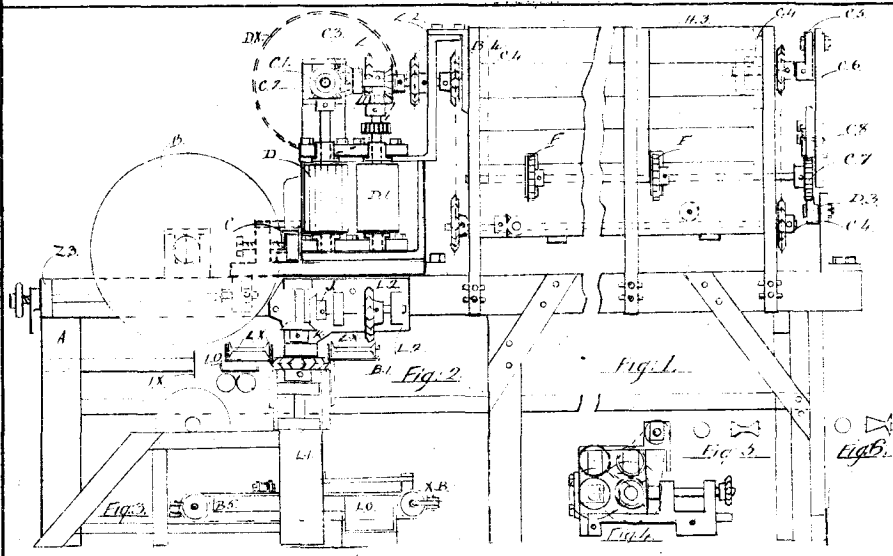
Trade Mark Registration cancelled.

THE entry on the Register in respect of the following trade mark has been cancelled:—

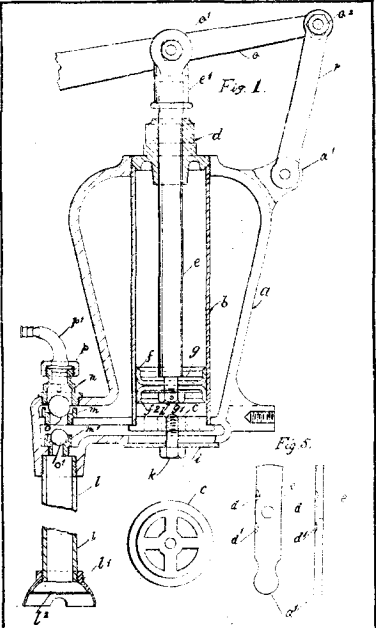
No. 7574/5971.—Bryant and May, Limited. (Application and registration advertised respectively in Supplements to *New Zealand Gazette*, No. 75, of the 1st October, 1908, and No. 105, of the 23rd December, 1908.)

ILLUSTRATIONS OF INVENTIONS.

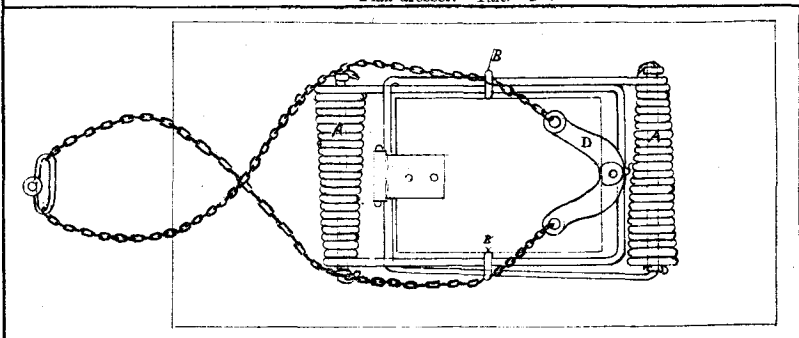
[These illustrations refer to the complete specifications accepted, and advertised in this Gazette.]



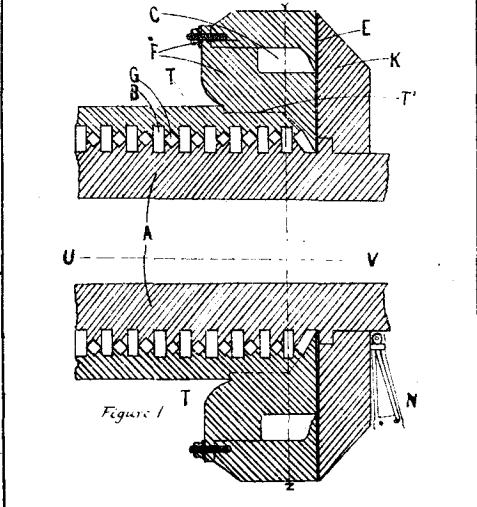
Flax-dresser. Tait. 25425.



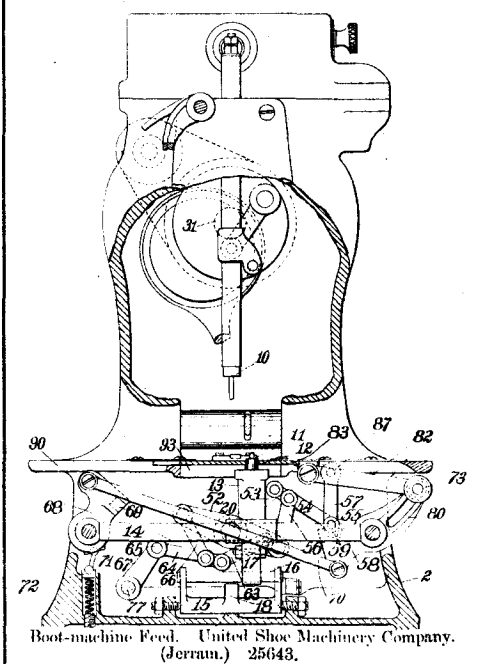
Spray Pump and Nozzle. Carter. 26803.



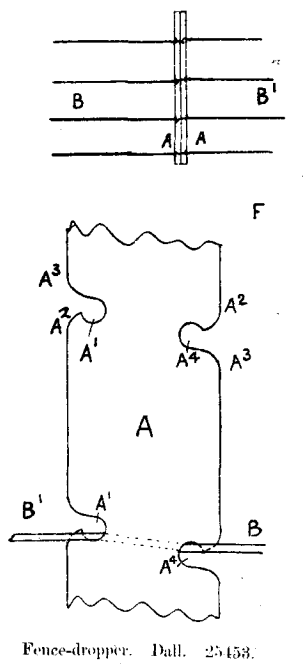
Rabbit-trap. Grainger. 25448.



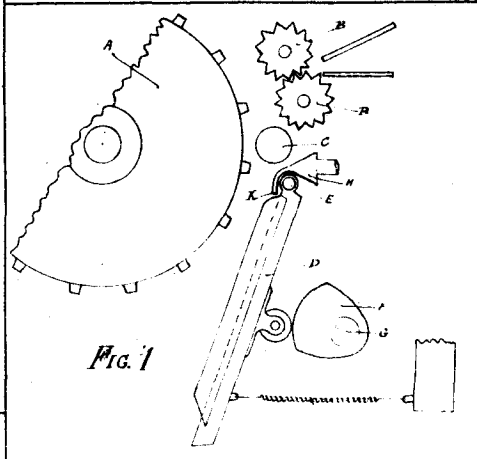
Bearing. Macdonald. 25585.



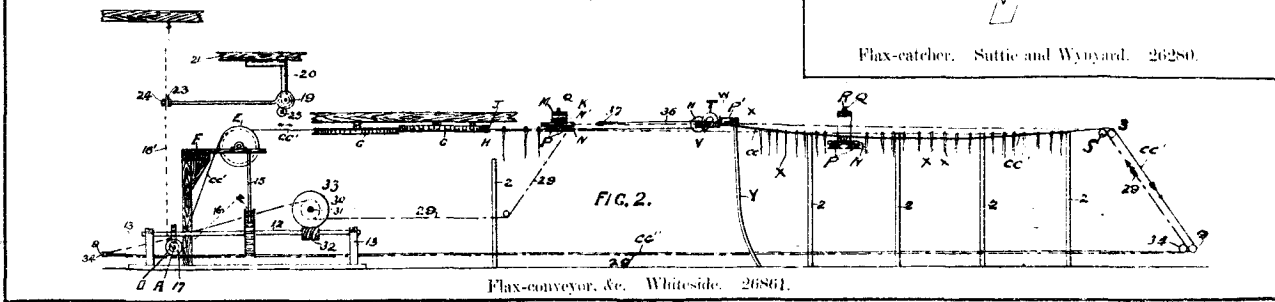
Boot-machine Feed. United Shoe Machinery Company. (Jerran.) 25643.



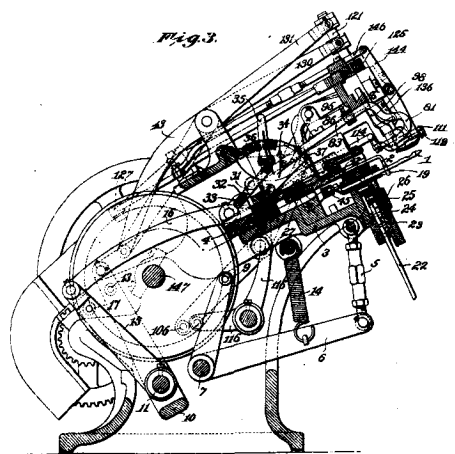
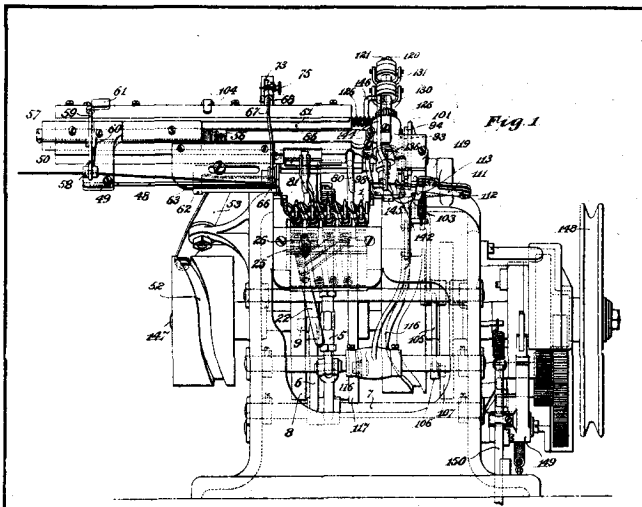
Fence-dropper. Dall. 25453.



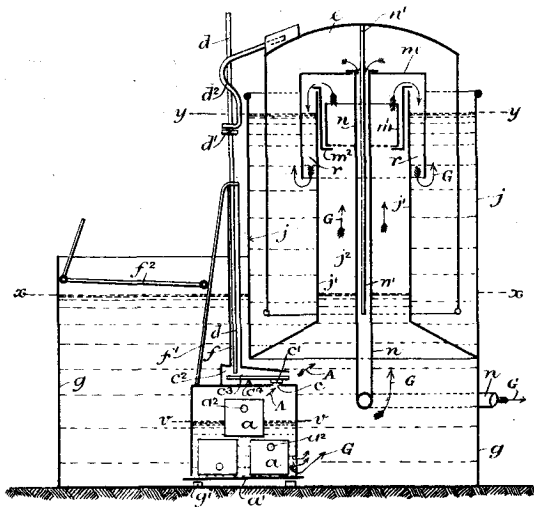
Flax-catcher. Suttie and Wynyard. 26280.



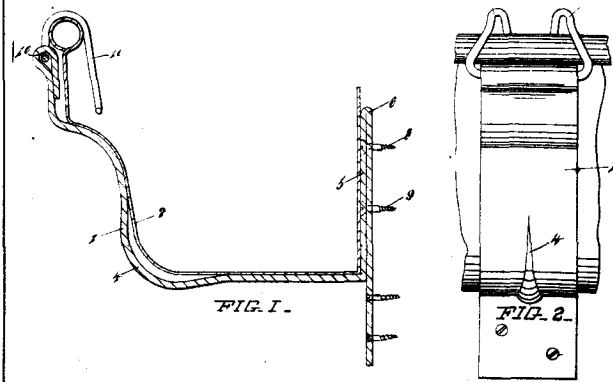
Flax-conveyor, &c. Whiteside. 26861.



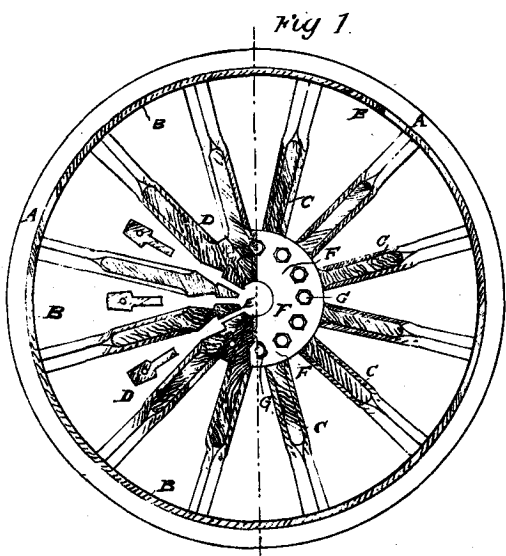
Boot-lacing Machine. United Shoe Machinery Company. (Smith.) 25642.



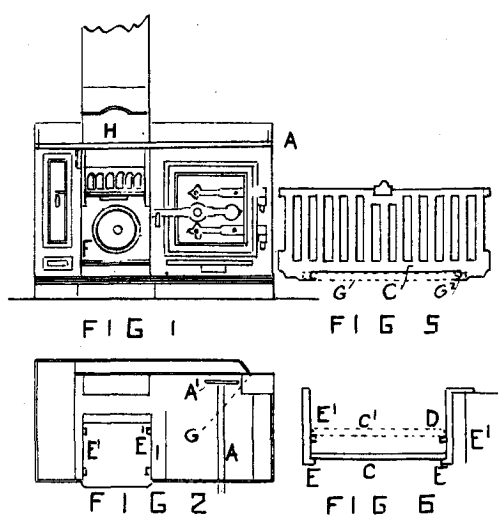
Acetylene-generator. Goss. 26795.



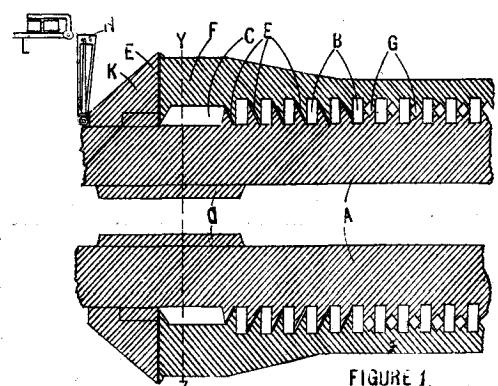
Spouting-bracket. Ballinger and Milligan. 26870.



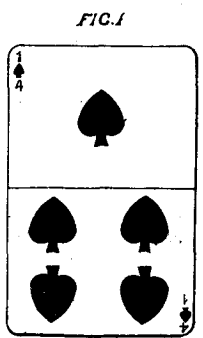
Wheel. Killen. 25522.



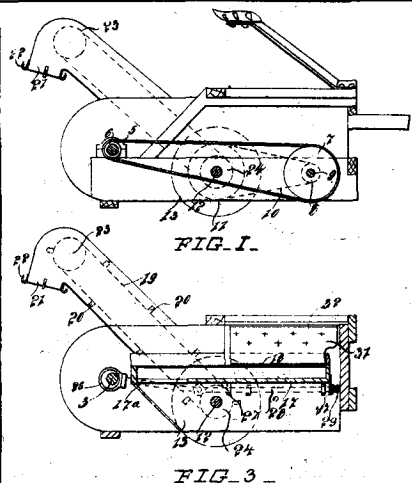
Range. Barningham. 26752.



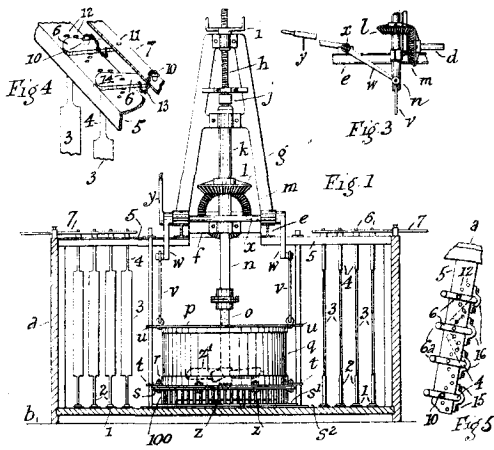
Governor. Macdonald. 25584.



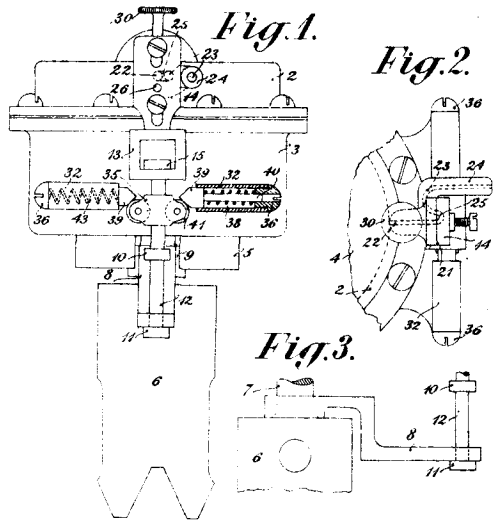
Playing-cards. Morrison. 26576.



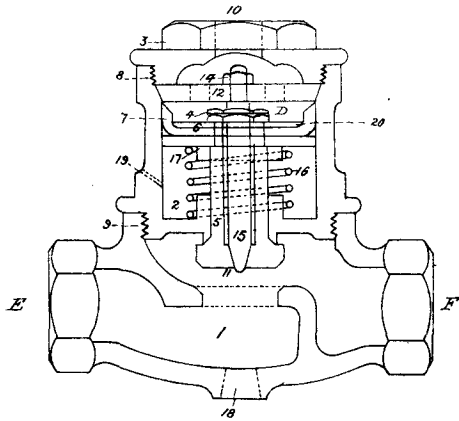
Seed Stripper and Dresser. Brooker. 25482.



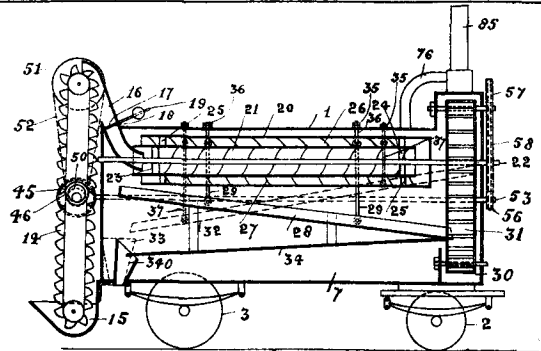
Ore-agitator. Edwards. 26921.



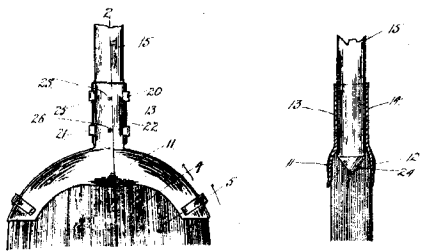
Milking-machine Pulsator. Sbroce. 26943.



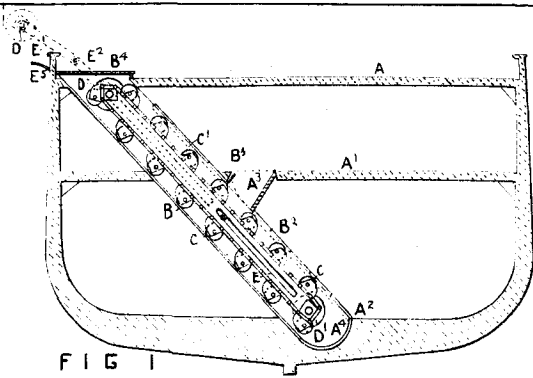
Railway-brake Valve. Goodwin. 26971.



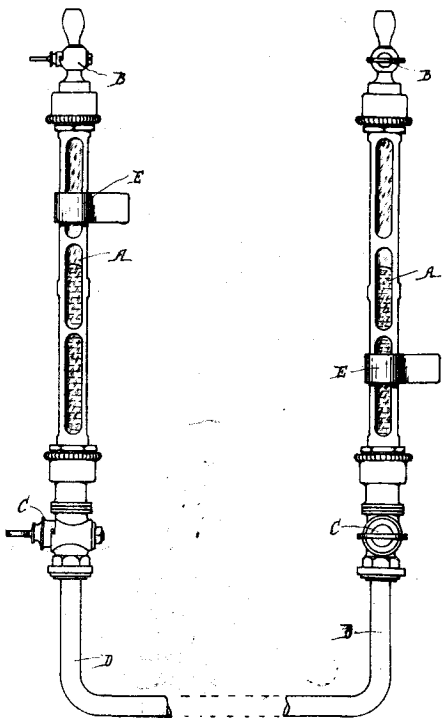
Tar-macadam-dryer, &c. Tarafirma (Limited). (Ames.) 26944.



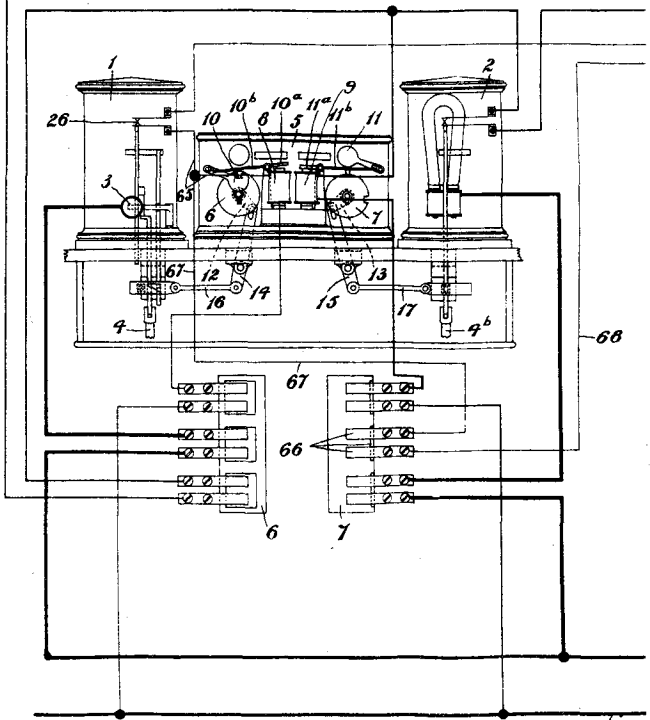
Broom. Abrams. 26434.



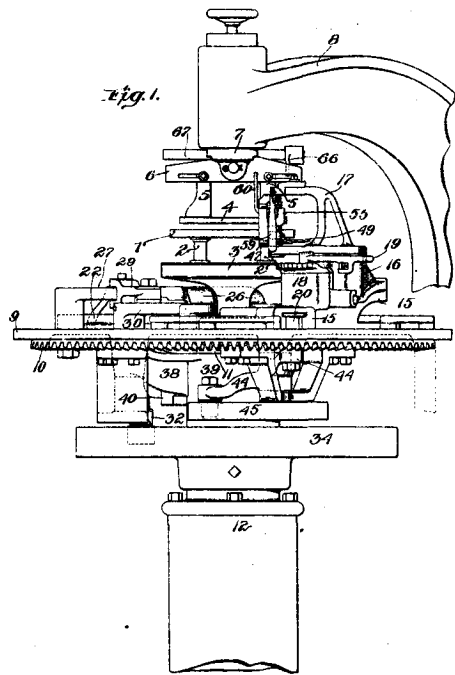
Ship-discharger. Trainor. 26986.



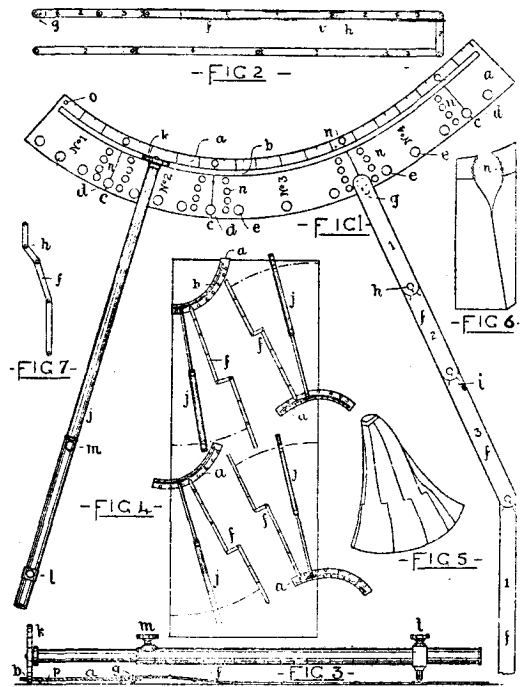
Level. McLean. 25598.



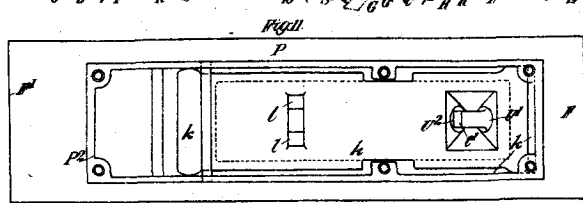
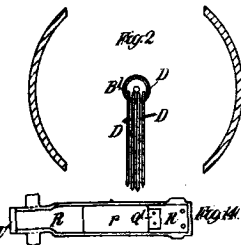
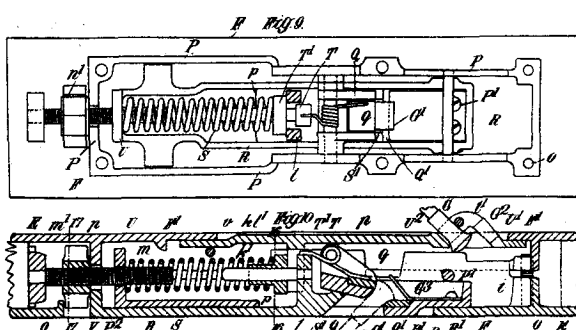
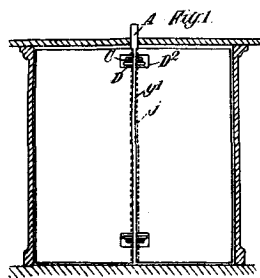
Railway-signal. Dutton and McKenzie and Holland (Limited). 26945.



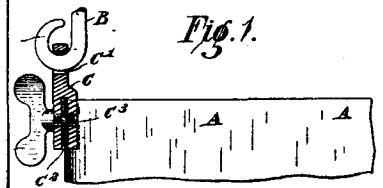
Boot-sole Rounder. United Shoe Machinery Company. (Mayo and Buck-minster.) 25629.



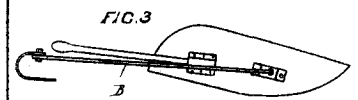
Skirt-drafter. Taylor. 26950.



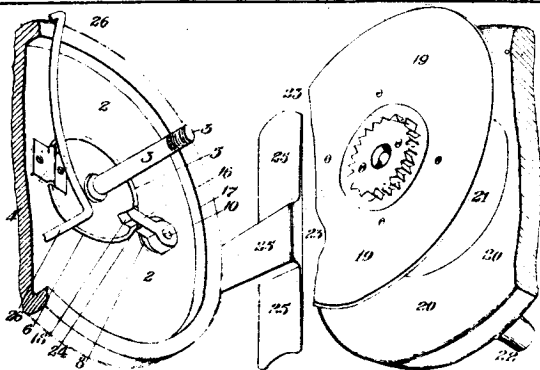
Door. Van Kannel Revolving Door Company (Limited). (Van Kannel.) 26898.



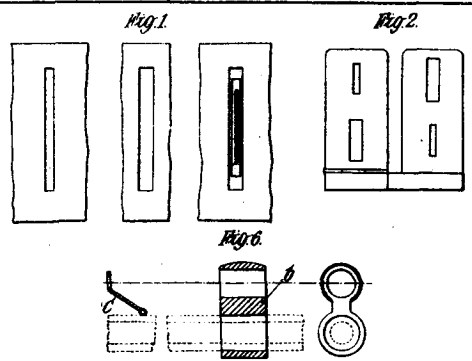
Kerosene-tin Handle. Mason. 26888.



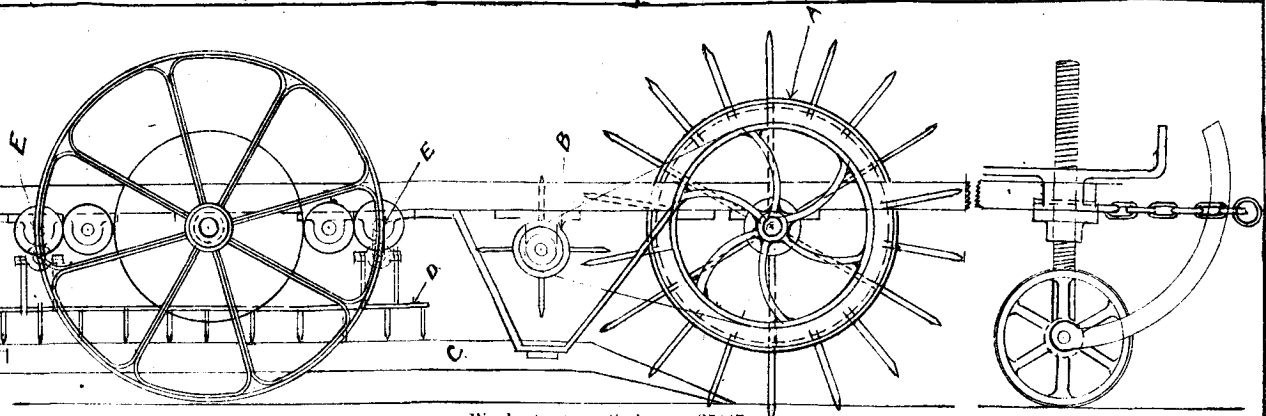
Earth-scoop. Munro. 25623.



Fishing-reel. Bennet. 25700.



Sight. Calchiopulo. 26968.



Weed-extractor. Grainger. 25447.